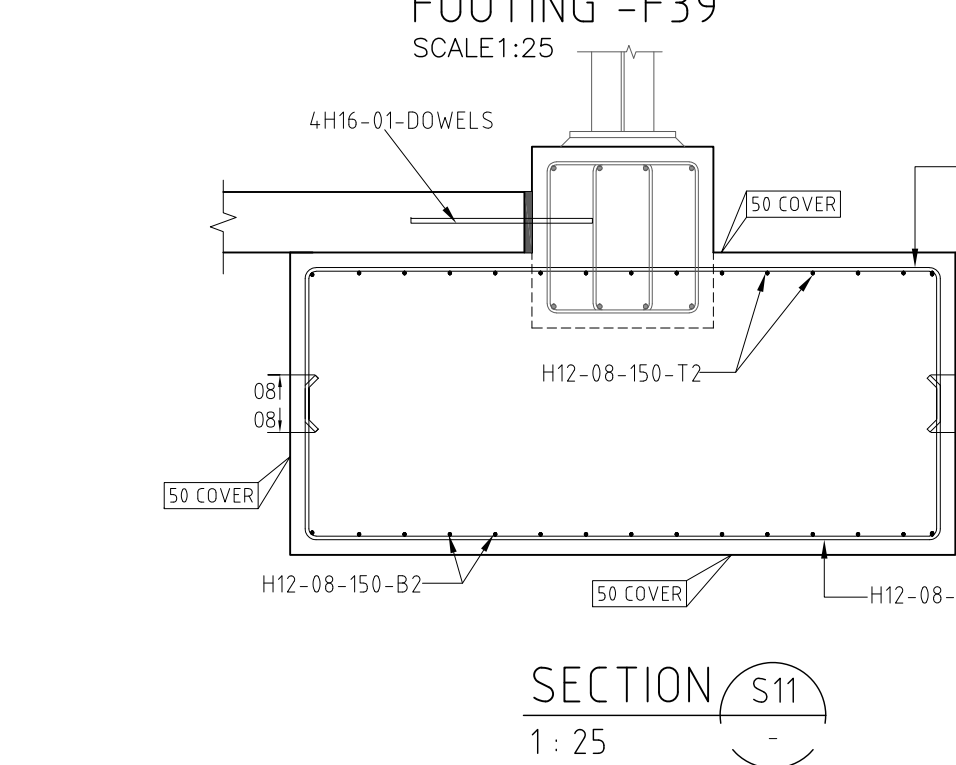
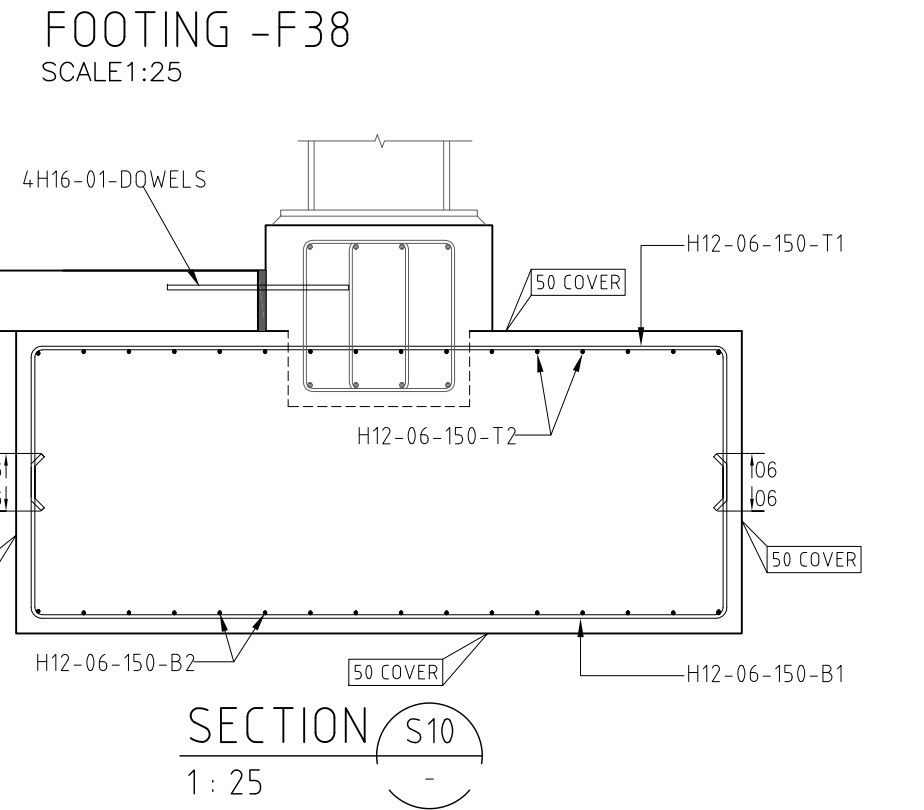
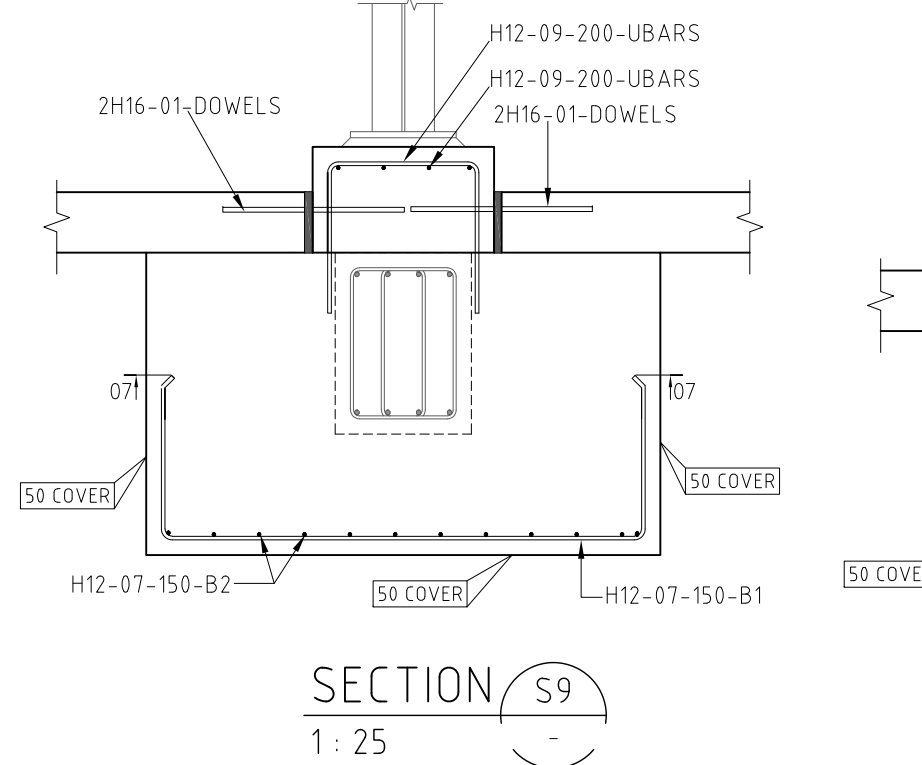
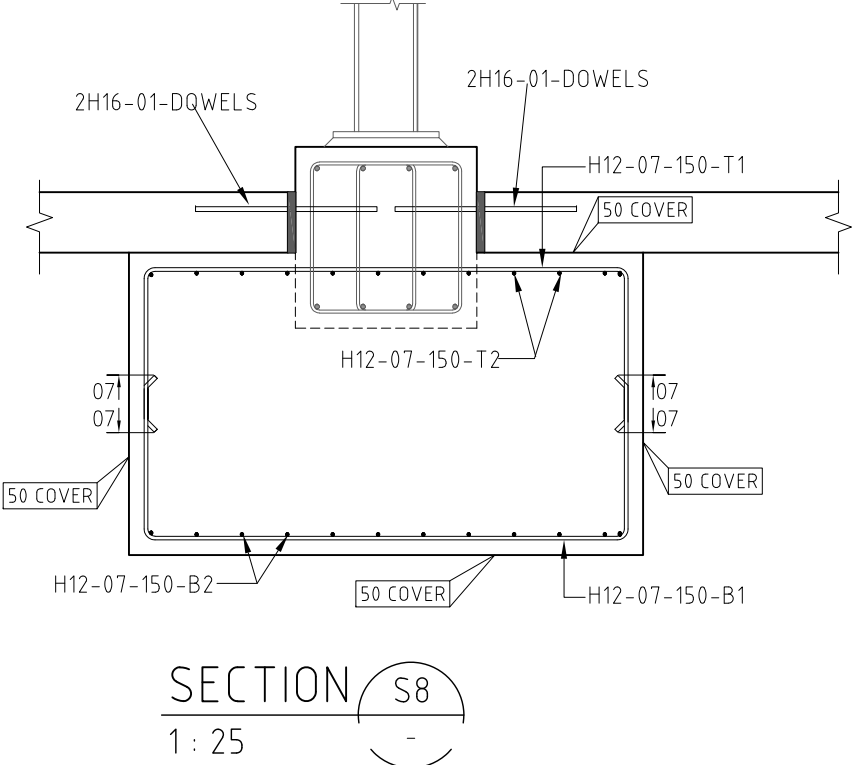
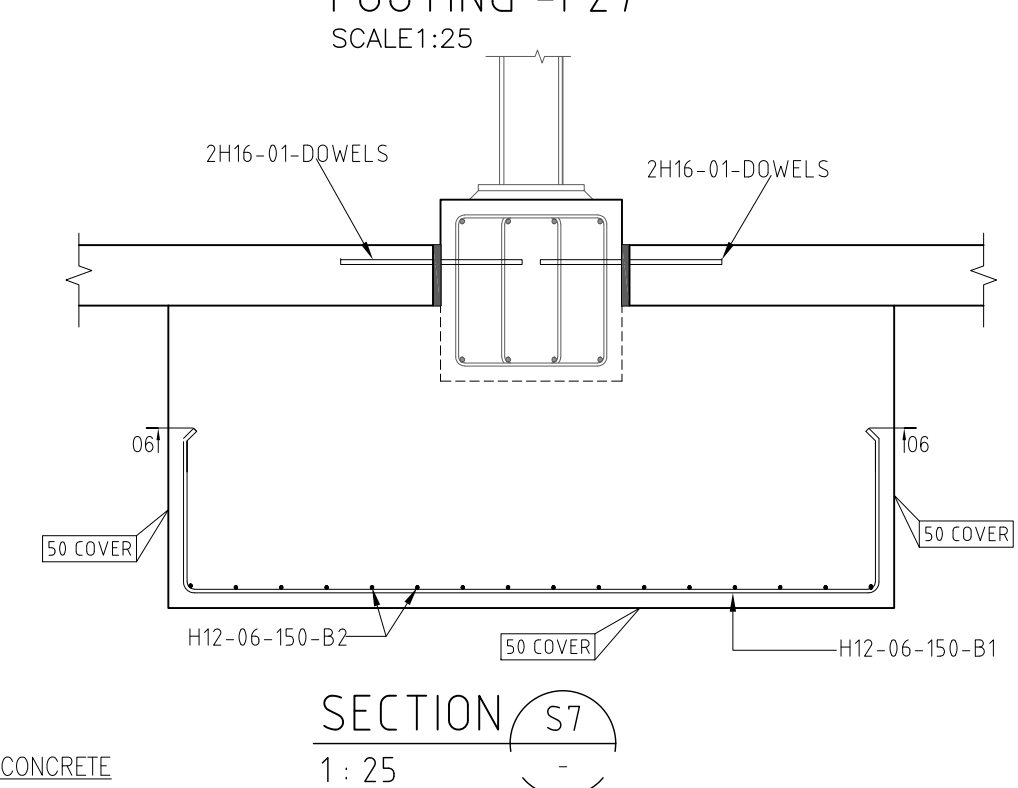
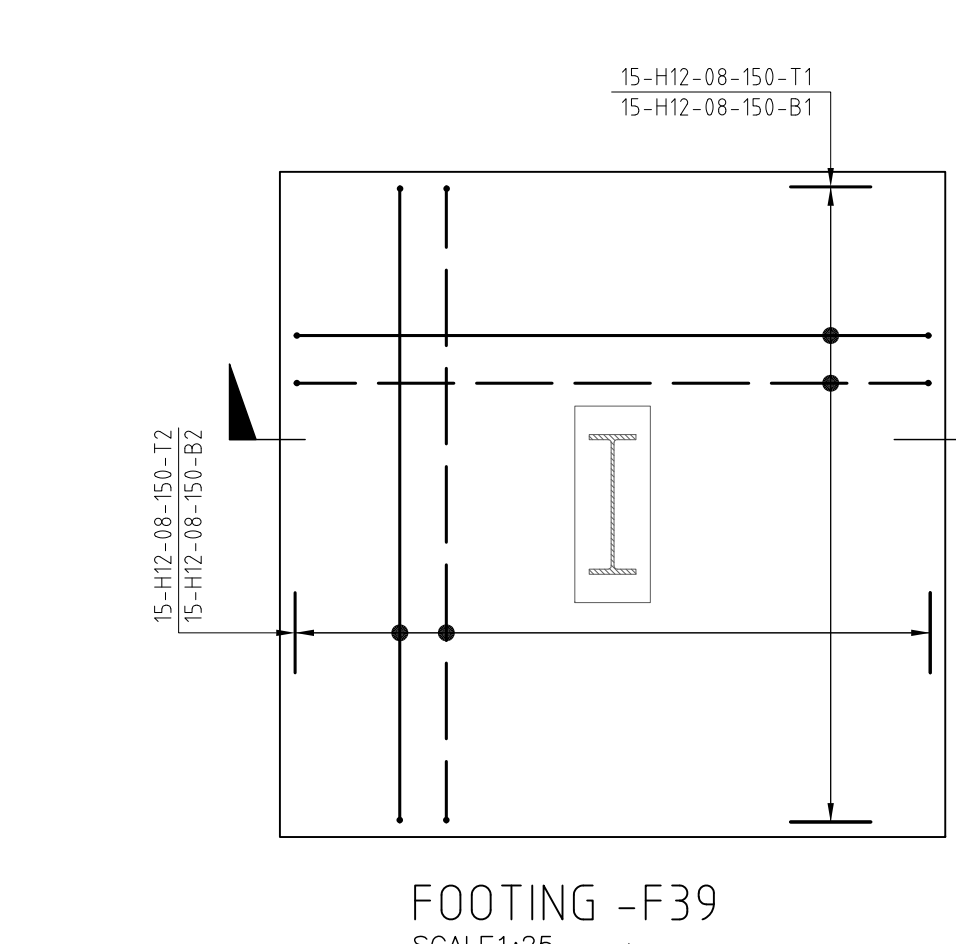
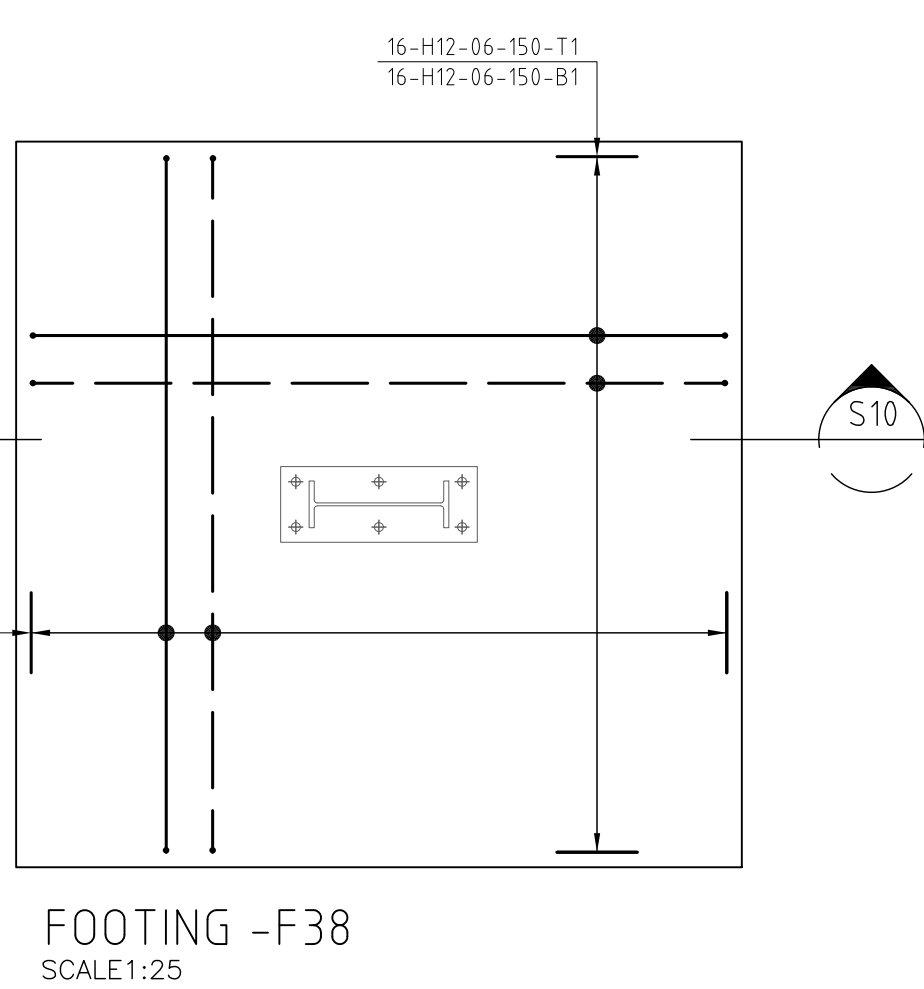
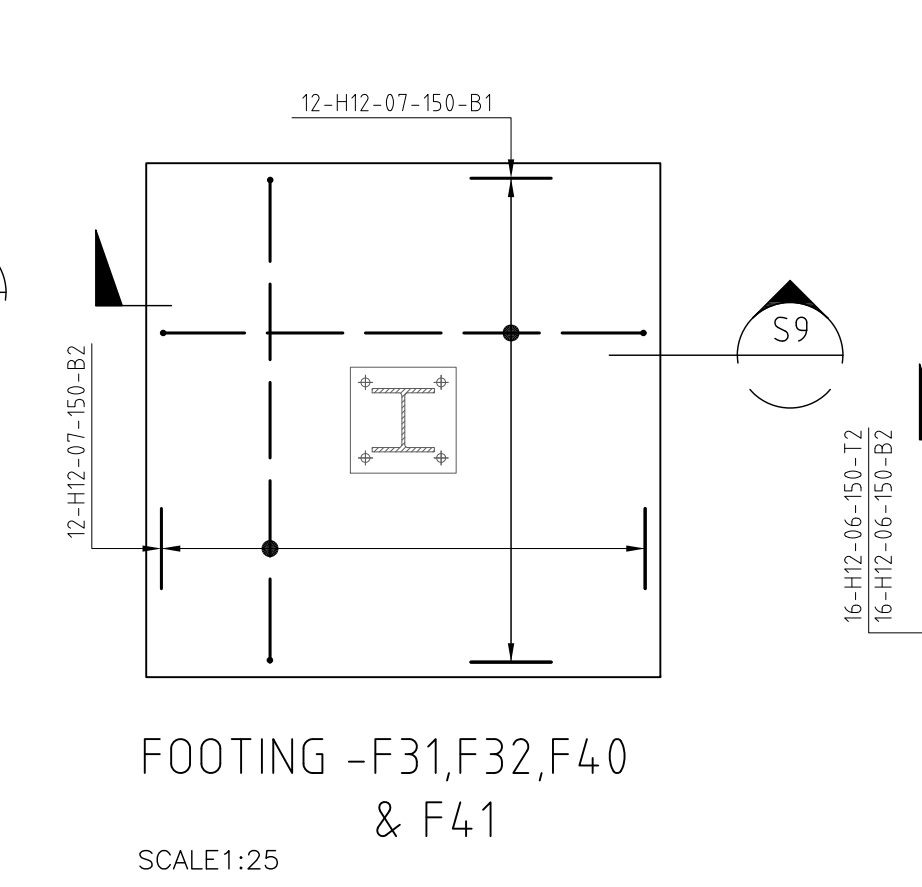
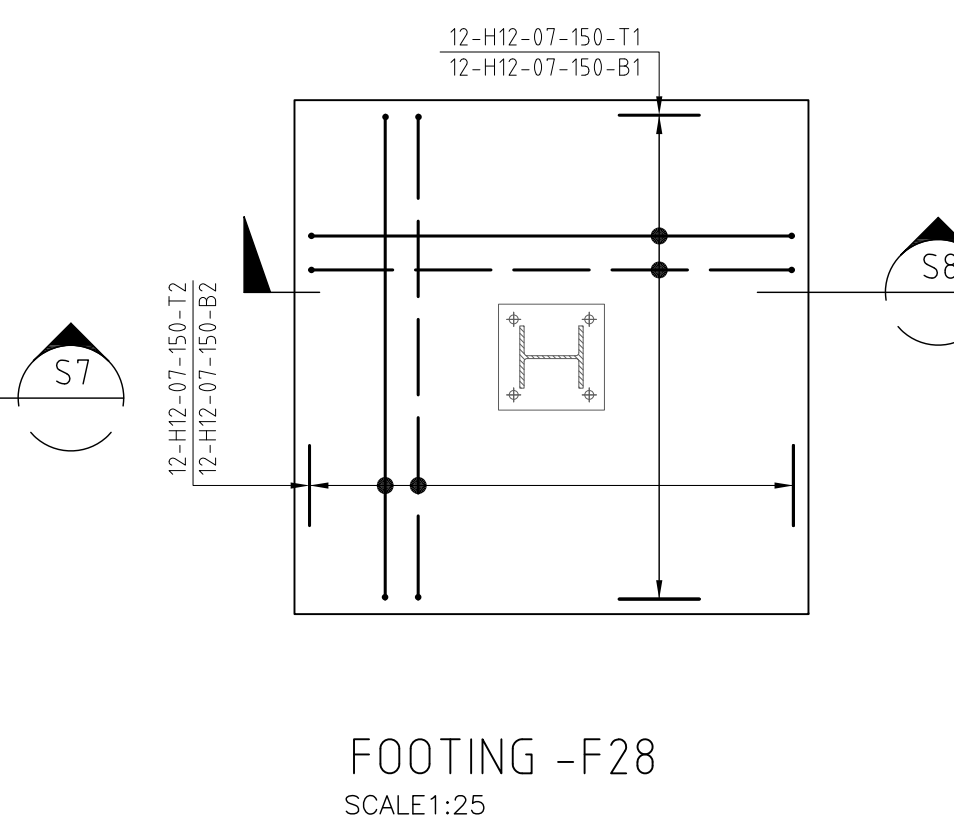
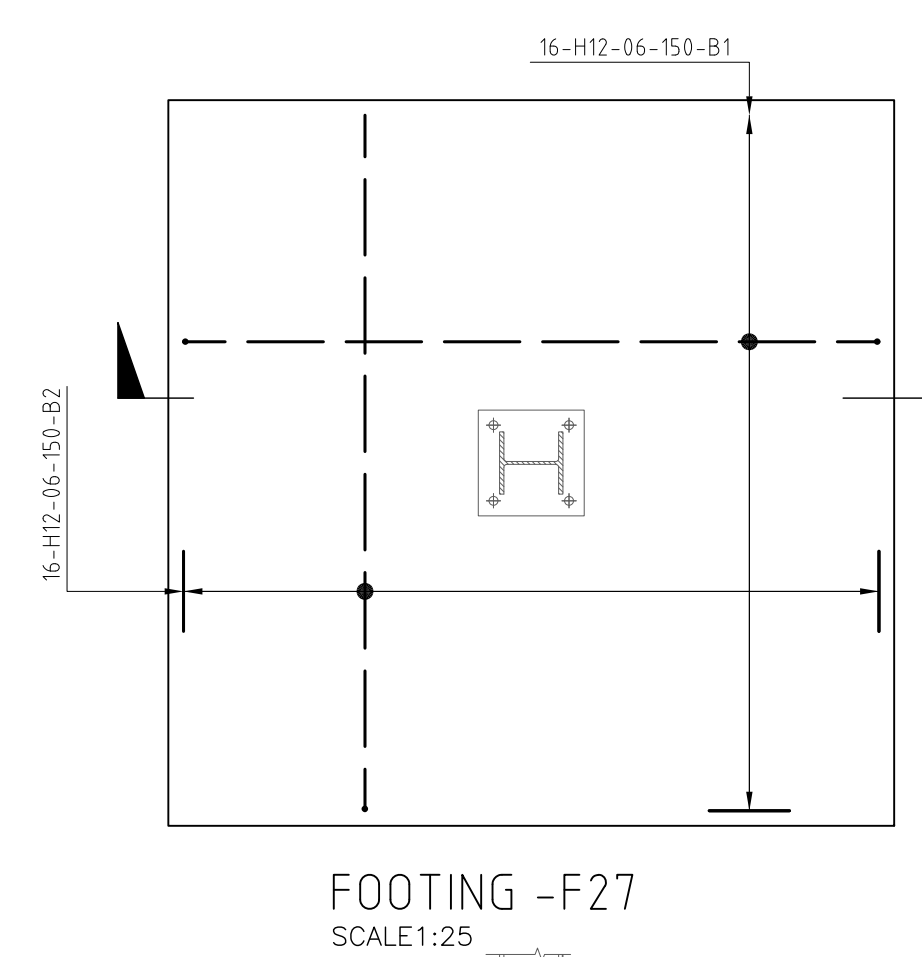


NOTE: OMIT SHOE DETAILS FOR PAD FOOTINGS F26 & F33

NOTE: FOR CLARITY RING BEAMS ARE NOT SHOWN HERE REFER DRG. NO. 12 AND 13 FOR RC DETAILS OF RING BEAM



4.0 CONCRETE

- All materials and workmanship to be in accordance with BS 8110 Parts 1 & 2 - The structural use of concrete.
- Concrete quality to be 30N / mm² at 28 days unless noted otherwise, Max nominal aggregate to be 20mm.
- Reinforcement to be placed in accordance with BS 8110.
- For waterproof concrete cement content not less than 330kg / m³. Free water cement ratio 0.45 to 0.5 refer to manufacturer

- Concrete cubes to be taken at 7 & 28 days to obtain required crushing strengths (one cube to be taken as a spare cube.)

- Concrete qualities for Mass Concrete foundations to low rise structures in non-aggressive soils to be Gen 3. Minimum cement content not less than 220kg / m³ (if normal prescribed mix is used will be acceptable) or FND2 (sulphate resisting cement).

- No reinforcement to be cut displaced or omitted without prior written agreement of the engineer.

- Cover to reinforcement to be 50mm unless noted otherwise on the drawings

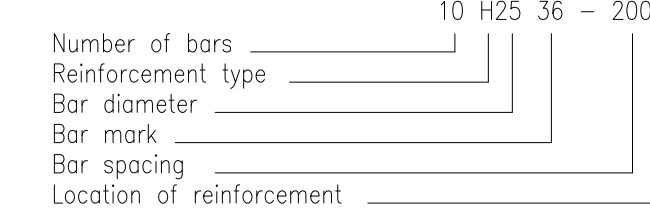
- The ground is to be blinded into 50 mm of lean mix prior to reinforcement being placed in position, blinded concrete mix to be 1:10 to all reinforcement bases etc except water resisting structures refer to Specification, Gen 1.

- If no soil investigation has been instigated then sulphate-resisting cement should be used in the ground construction.

- Construction joints to be determined by the contractor to suit his method of working.

- Rebar Grade to be B500B(EN10080)

- Reinforcement notation



- Abbreviations

- T = top
NF = near face
AB = alternate bars
- B = bottom
FF = far face
ABR = alternate bars reversed
- ABS = staggered
EF = each face

- Lap lengths unless otherwise noted on the drawings to be min:

- H10 = 490mm
H12 = 590mm
H16 = 785mm
- H20 = 980mm
H25 = 1225mm
H32 = 1570mm

C2	FOR CONSTRUCTION	27-06-18
C1	FOR CONSTRUCTION	16-05-18
P2	PRELIMINARY	14-05-18
P1	Preliminary	17/04/18
Rev.	Description	Date

AND DESIGNS LTD
Consulting Engineers
Anchor House Station Row Shalford Guildford Surrey GU4 8BY
Tel. 01483 457755
Fax. 01483 531841
E Mail. anddesigns@aol.com

Project
**WAGNION ,
BANFORA
BURKINA FASO**

Title
**FOOTING REINFORCEMENT
DETAILS**

Scale	AS SHOWN@A1	Job No.	18.075
Date	APRIL 2018	Dwg. No.	18.075.02 C2
Dwn. by	JAL	Ckcd. by	JW
© copyright			