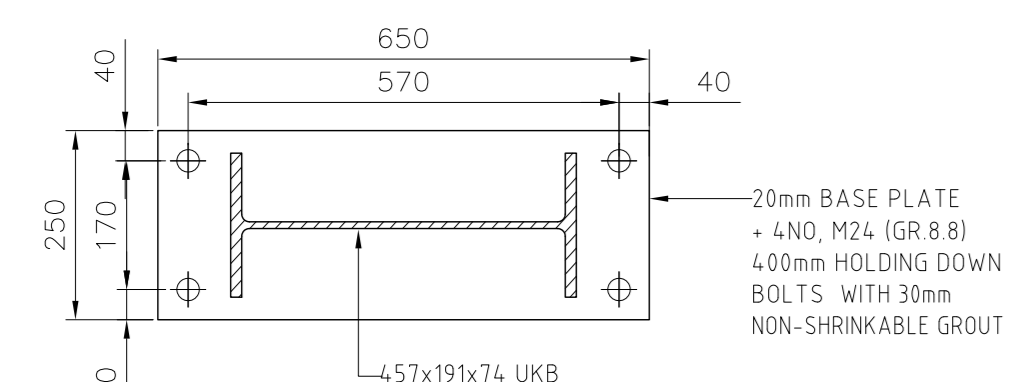
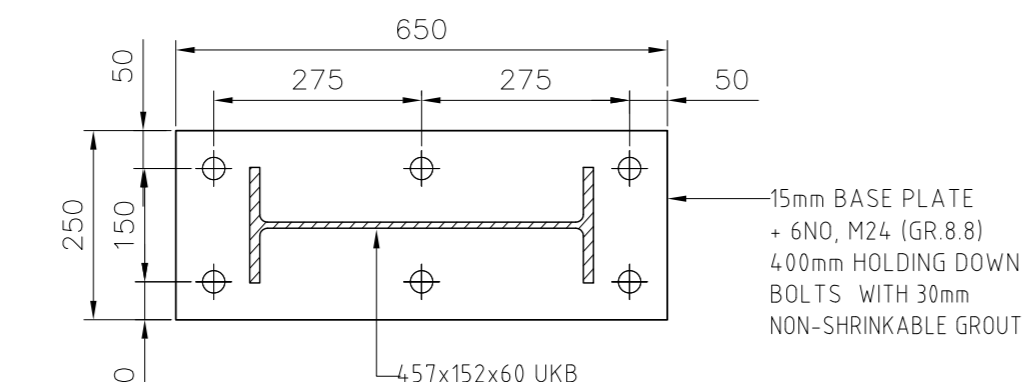


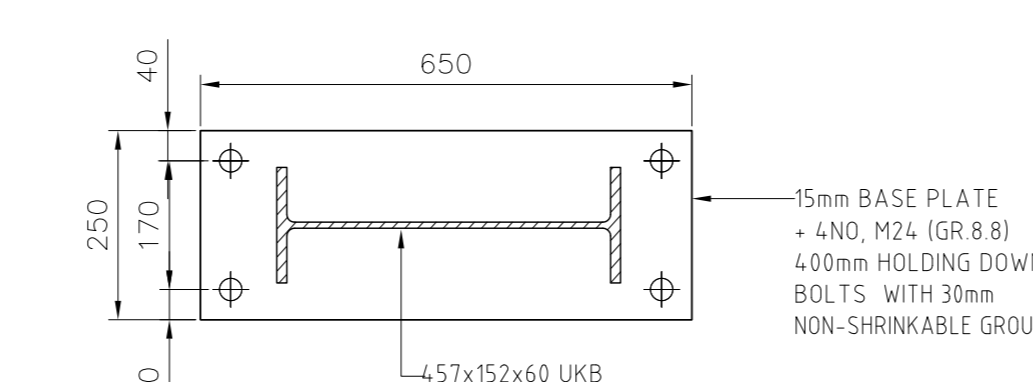
SUB BASE LAYOUT SHOWING 0 1 2 3 4 5 Metres
FOUNDATION DETAILS
Scale 1:75



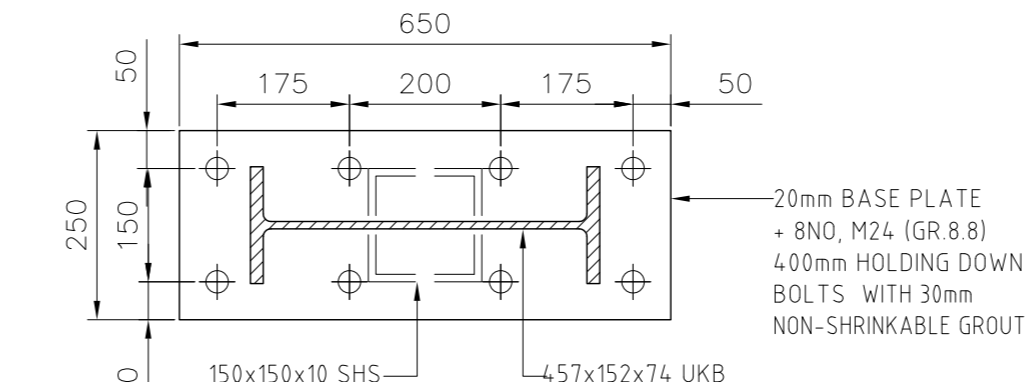
TYPICAL BASE PLATE DETAIL
TYPE-01&01A
Scale 1:10



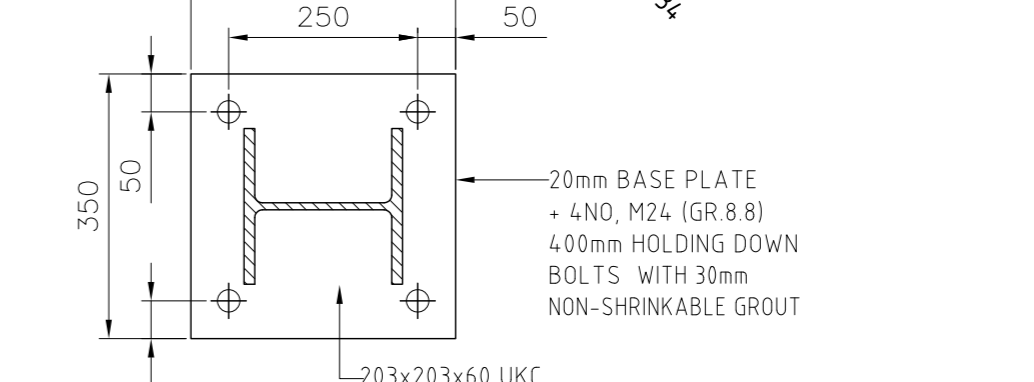
TYPICAL BASE PLATE DETAIL
TYPE-02&02A
Scale 1:10



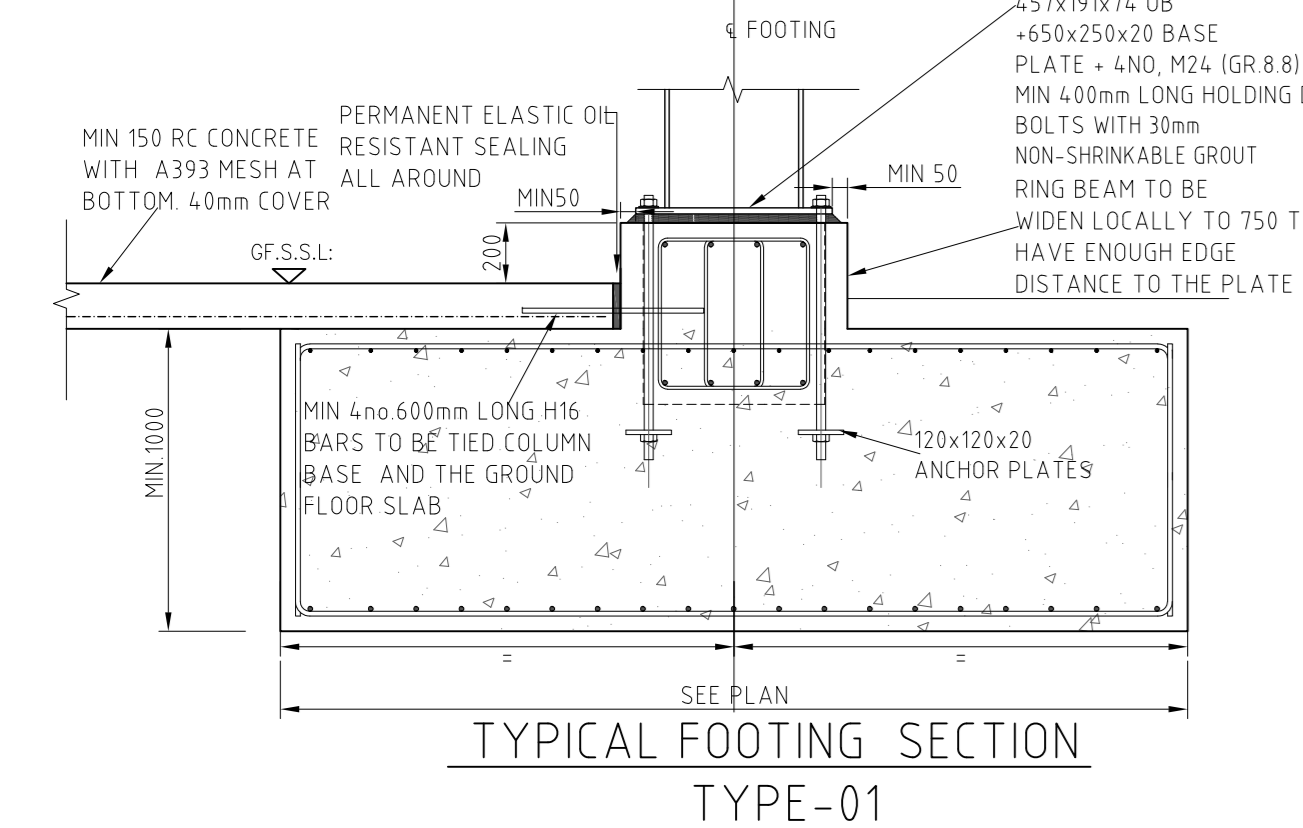
TYPICAL BASE PLATE DETAIL
TYPE-03
Scale 1:10



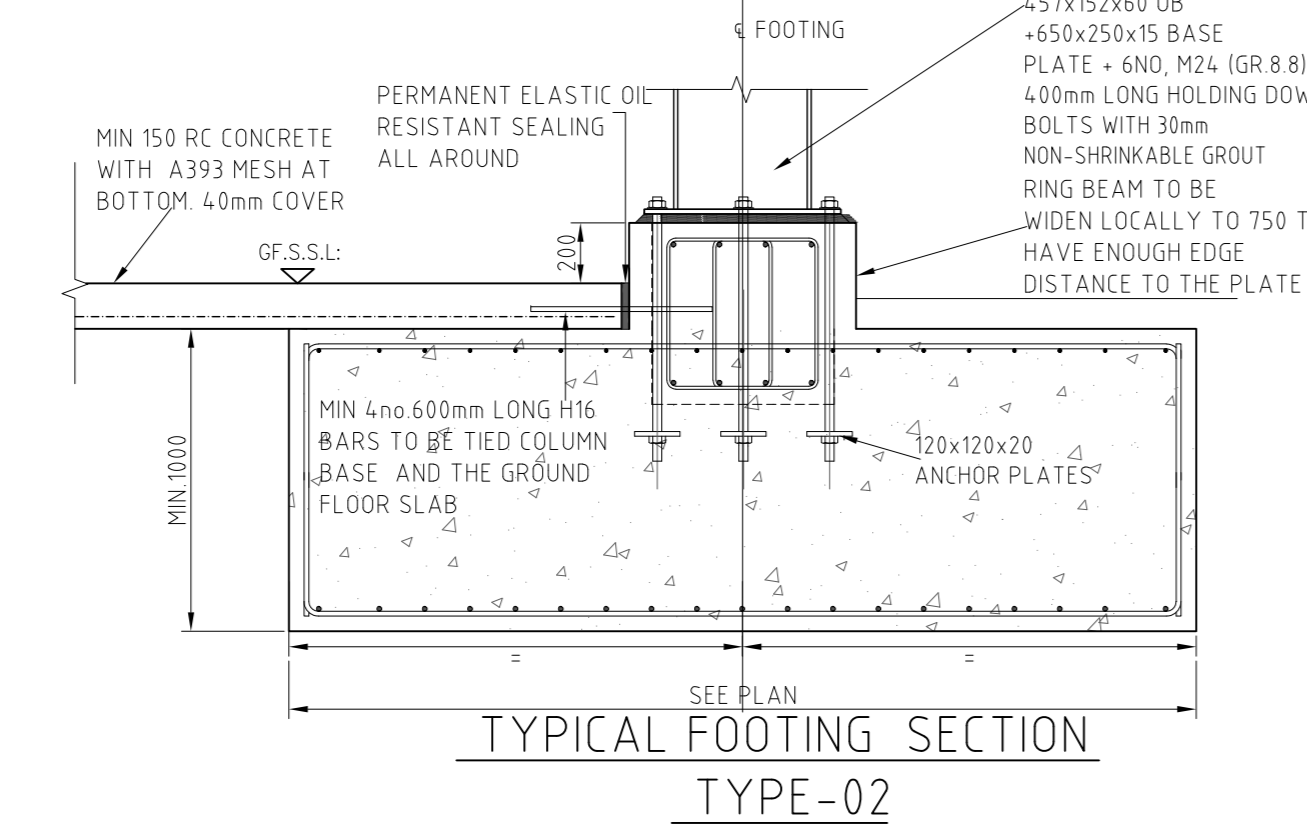
TYPICAL BASE PLATE DETAIL
TYPE-04
Scale 1:10



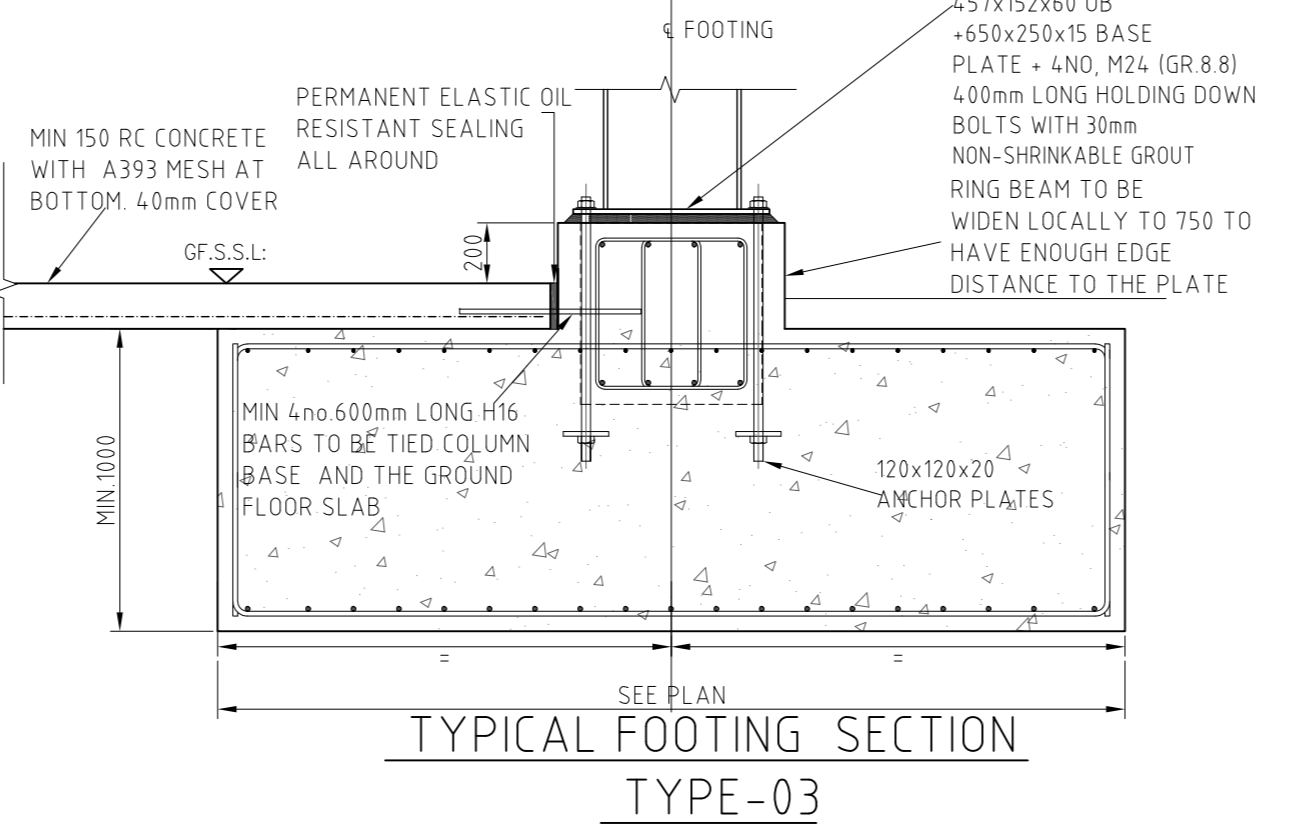
TYPICAL BASE PLATE DETAIL
TYPE-05,05A&05B
Scale 1:10



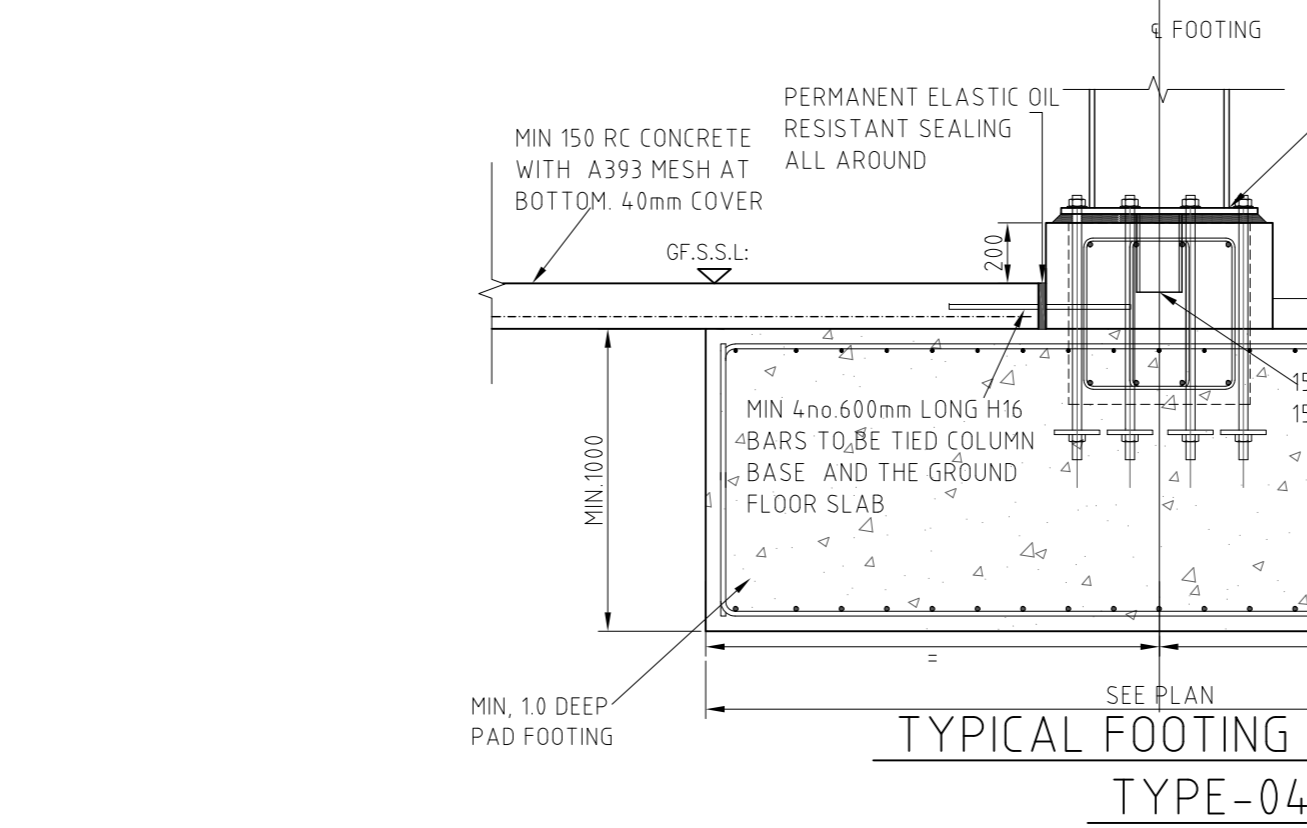
TYPICAL FOOTING SECTION
TYPE-01
Scale 1:25



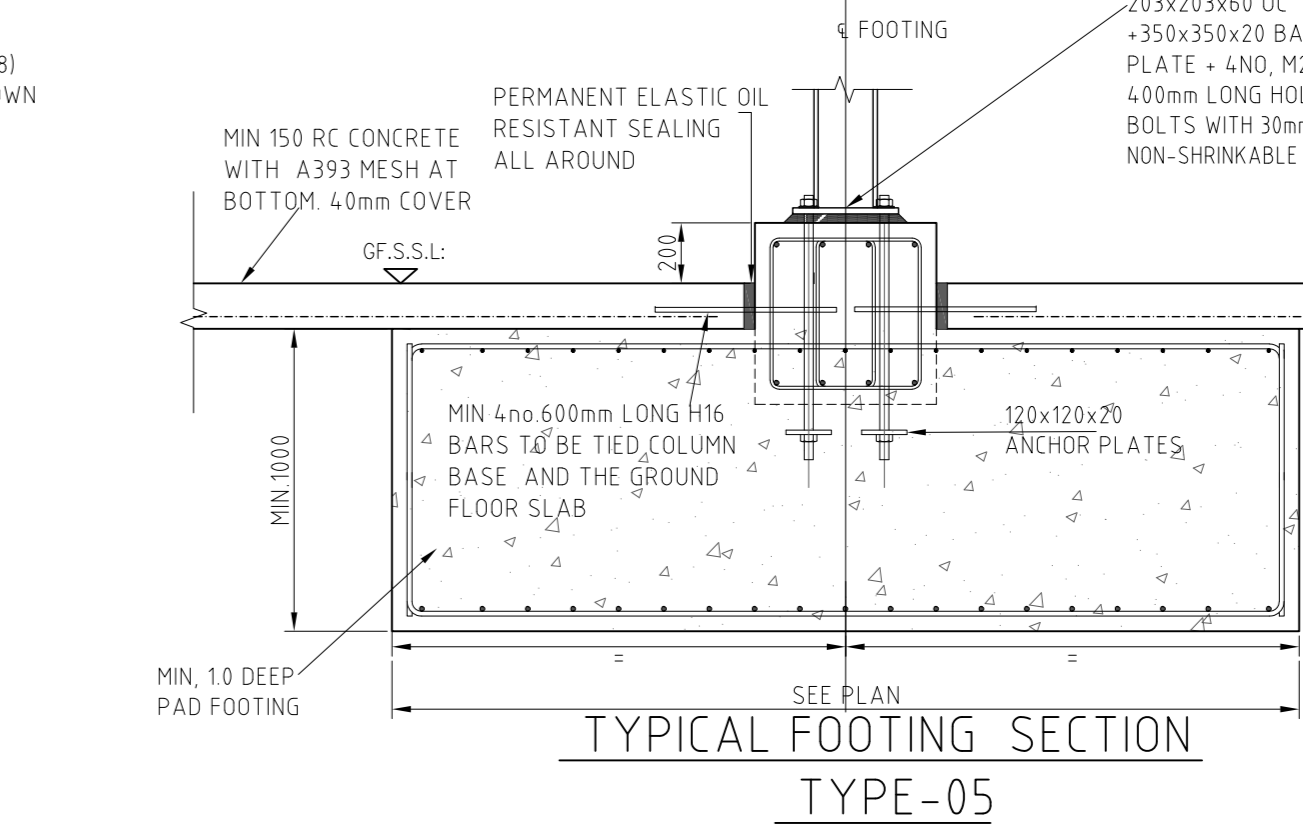
TYPICAL FOOTING SECTION
TYPE-02
Scale 1:25



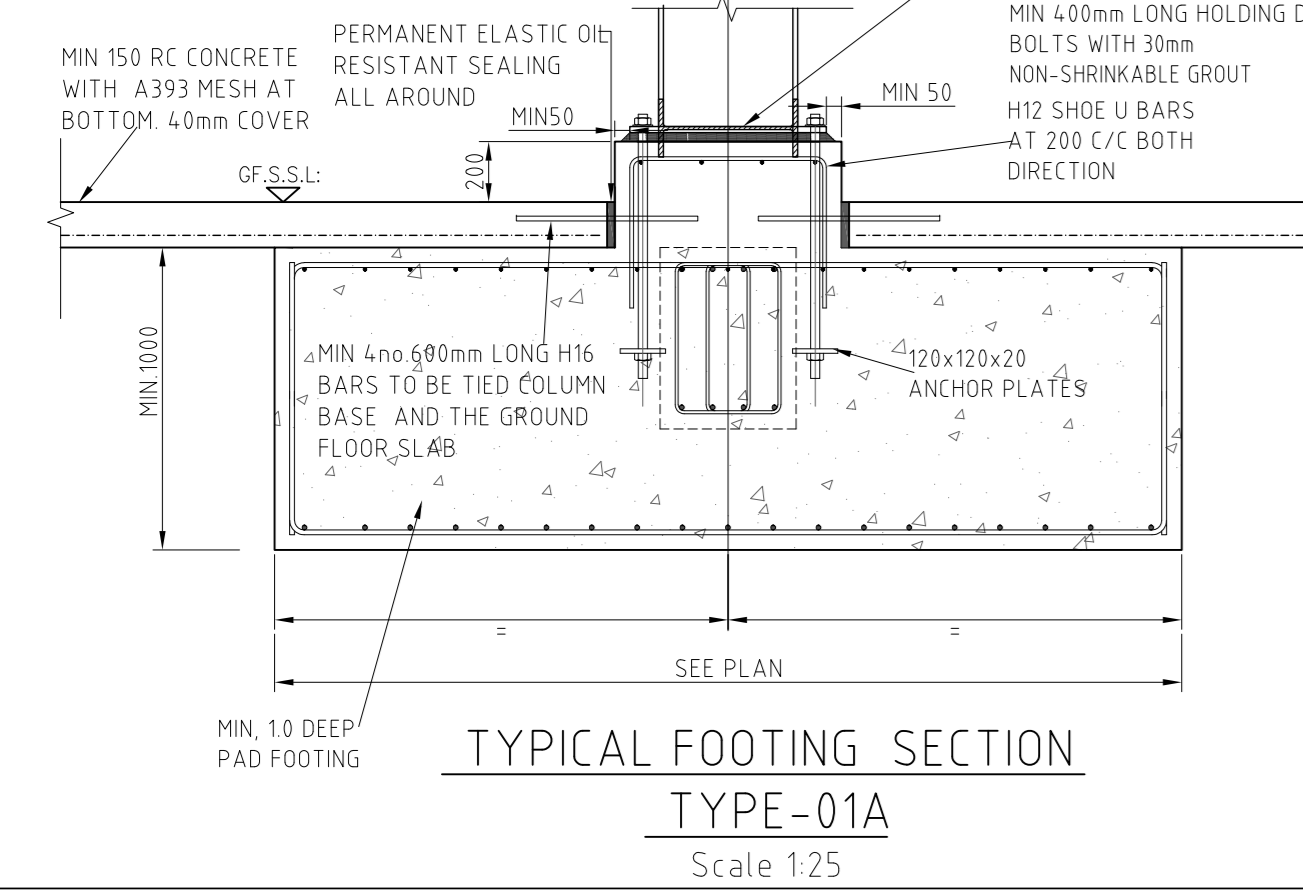
TYPICAL FOOTING SECTION
TYPE-03
Scale 1:25



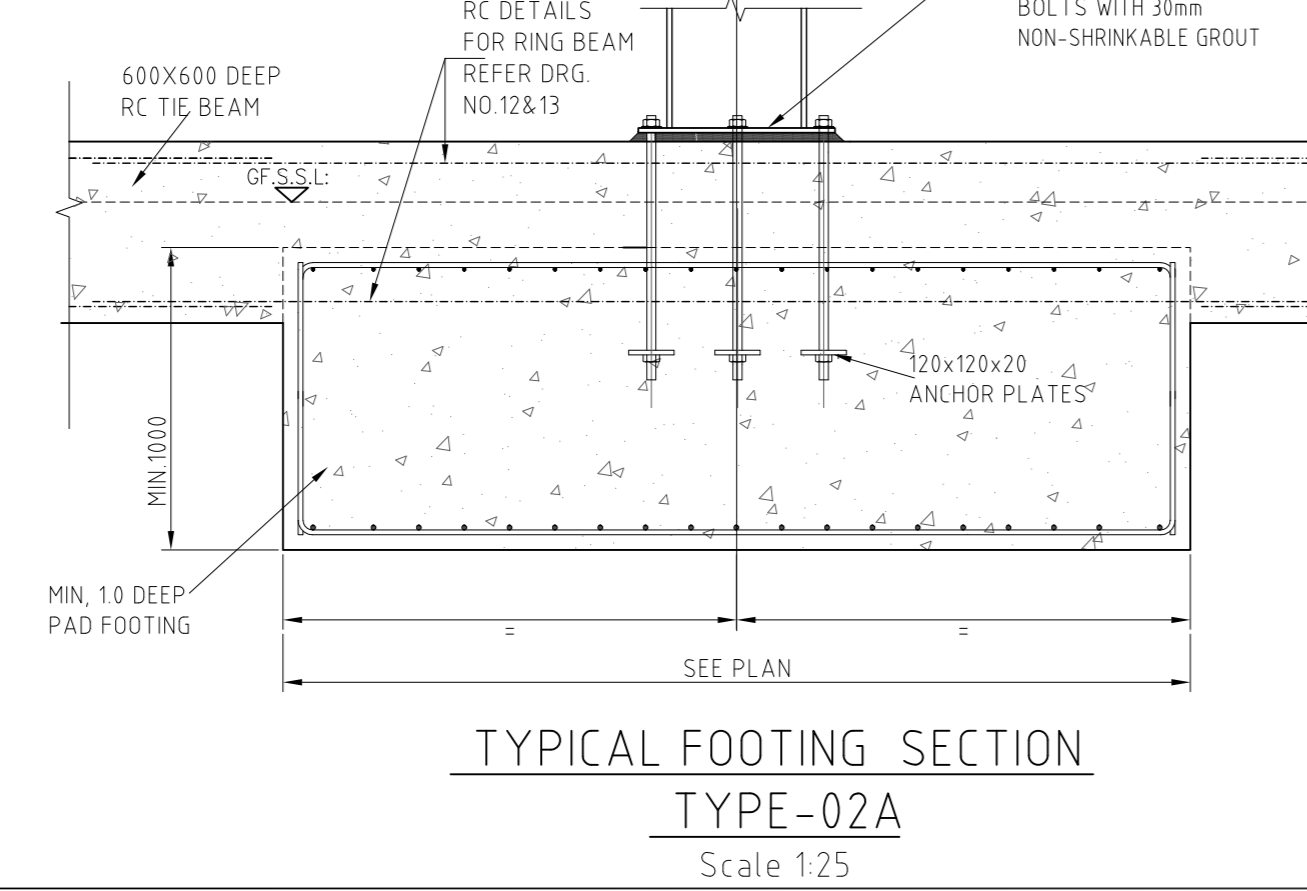
TYPICAL FOOTING SECTION
TYPE-04
Scale 1:25



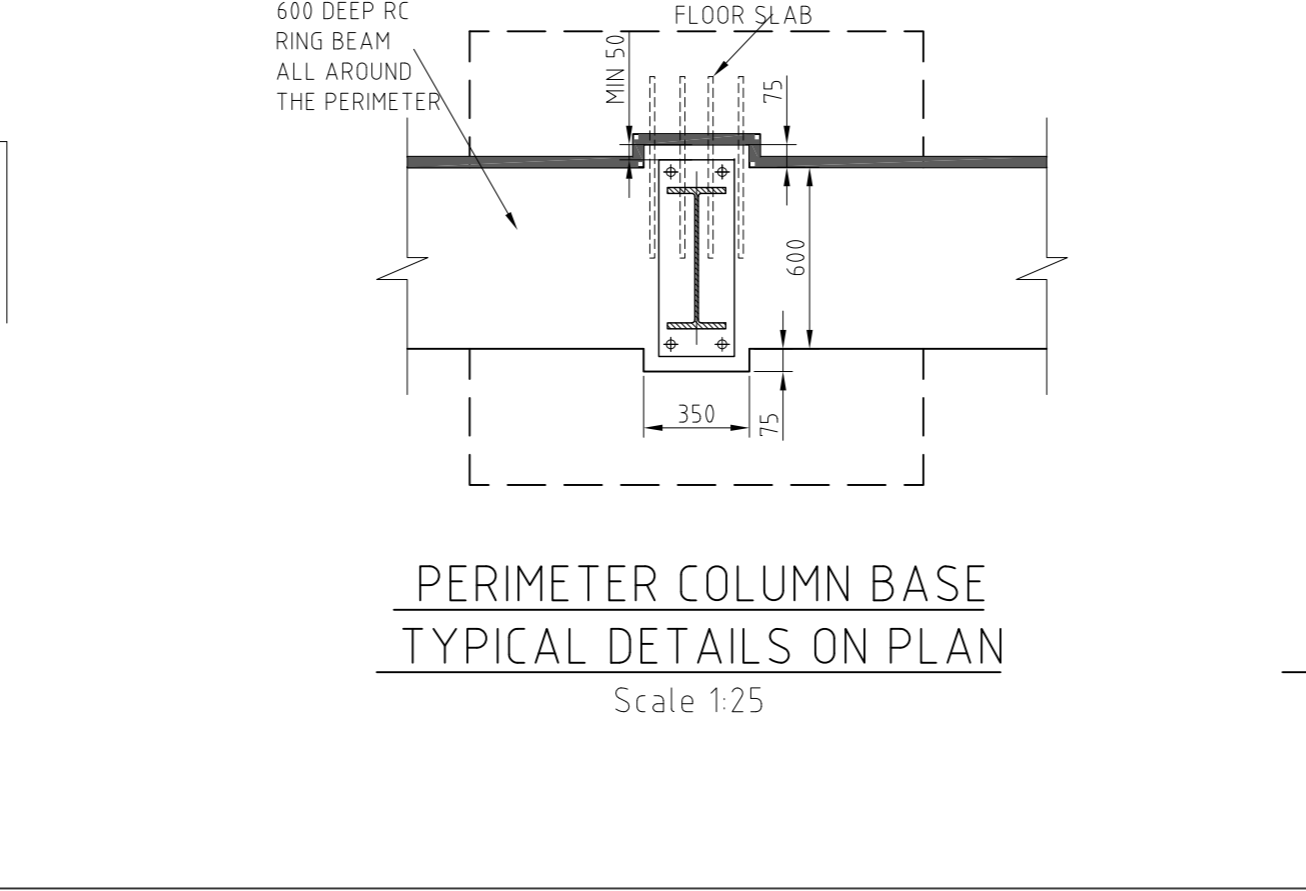
TYPICAL FOOTING SECTION
TYPE-05
Scale 1:25



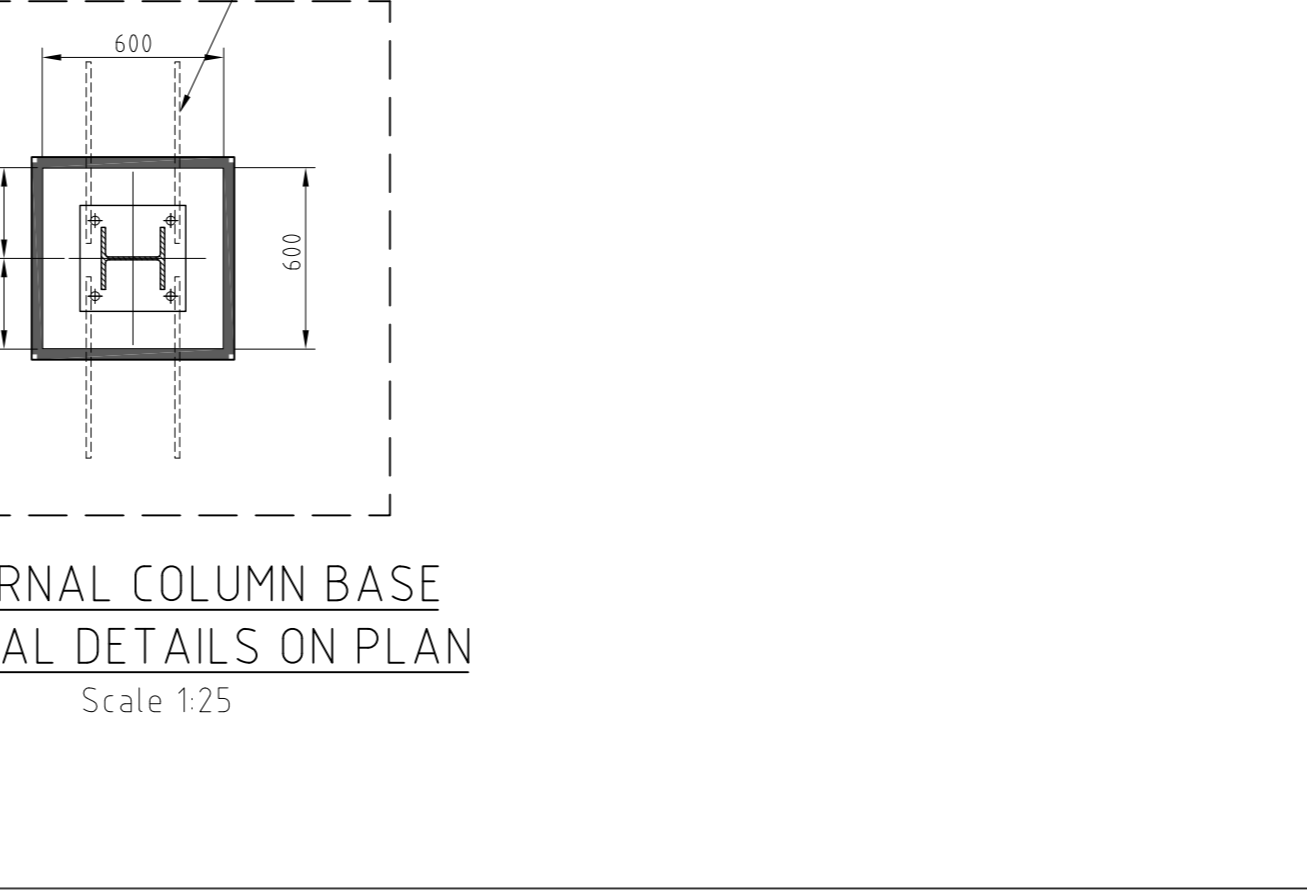
TYPICAL FOOTING SECTION
TYPE-01A
Scale 1:25



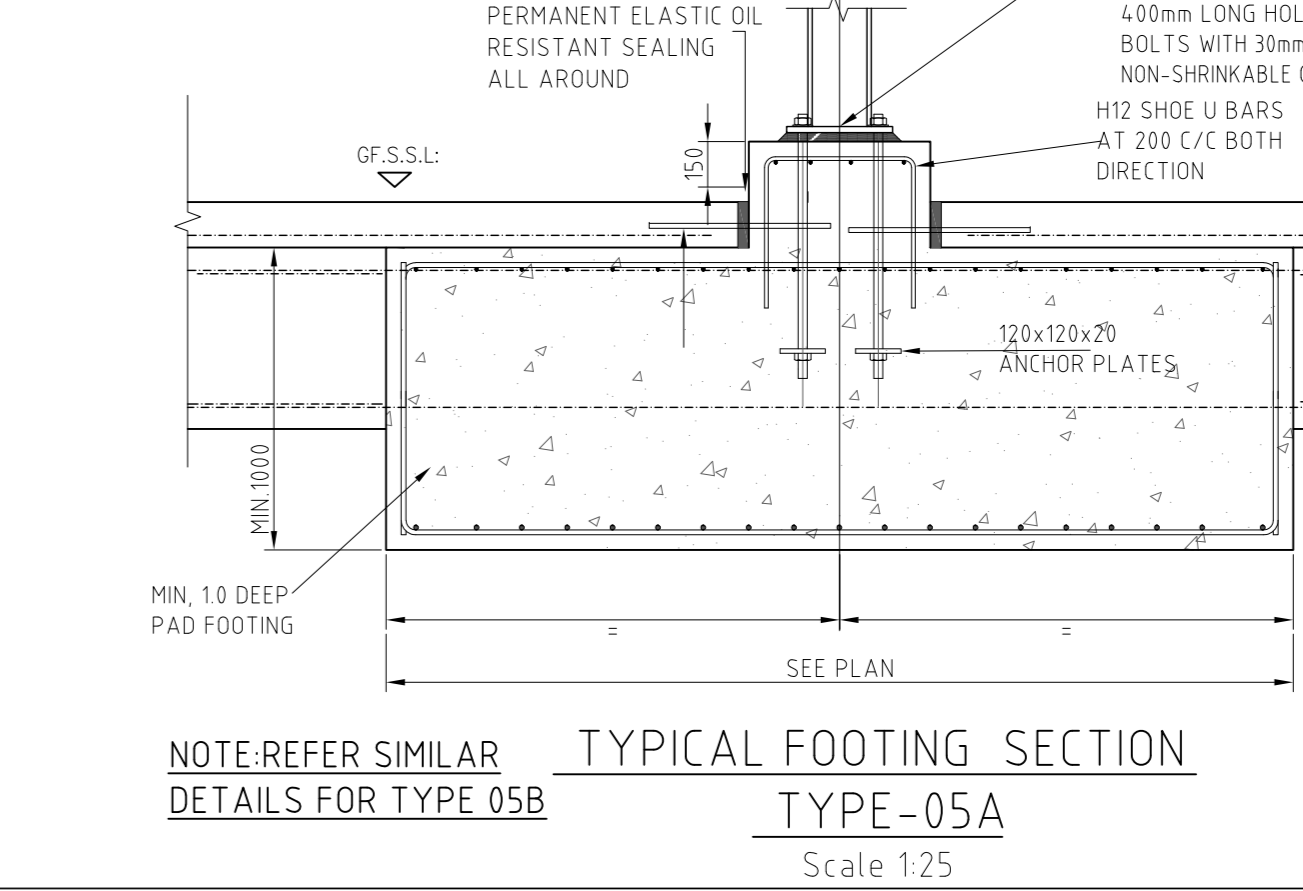
TYPICAL FOOTING SECTION
TYPE-02A
Scale 1:25



PERIMETER COLUMN BASE
TYPICAL DETAILS ON PLAN
Scale 1:25



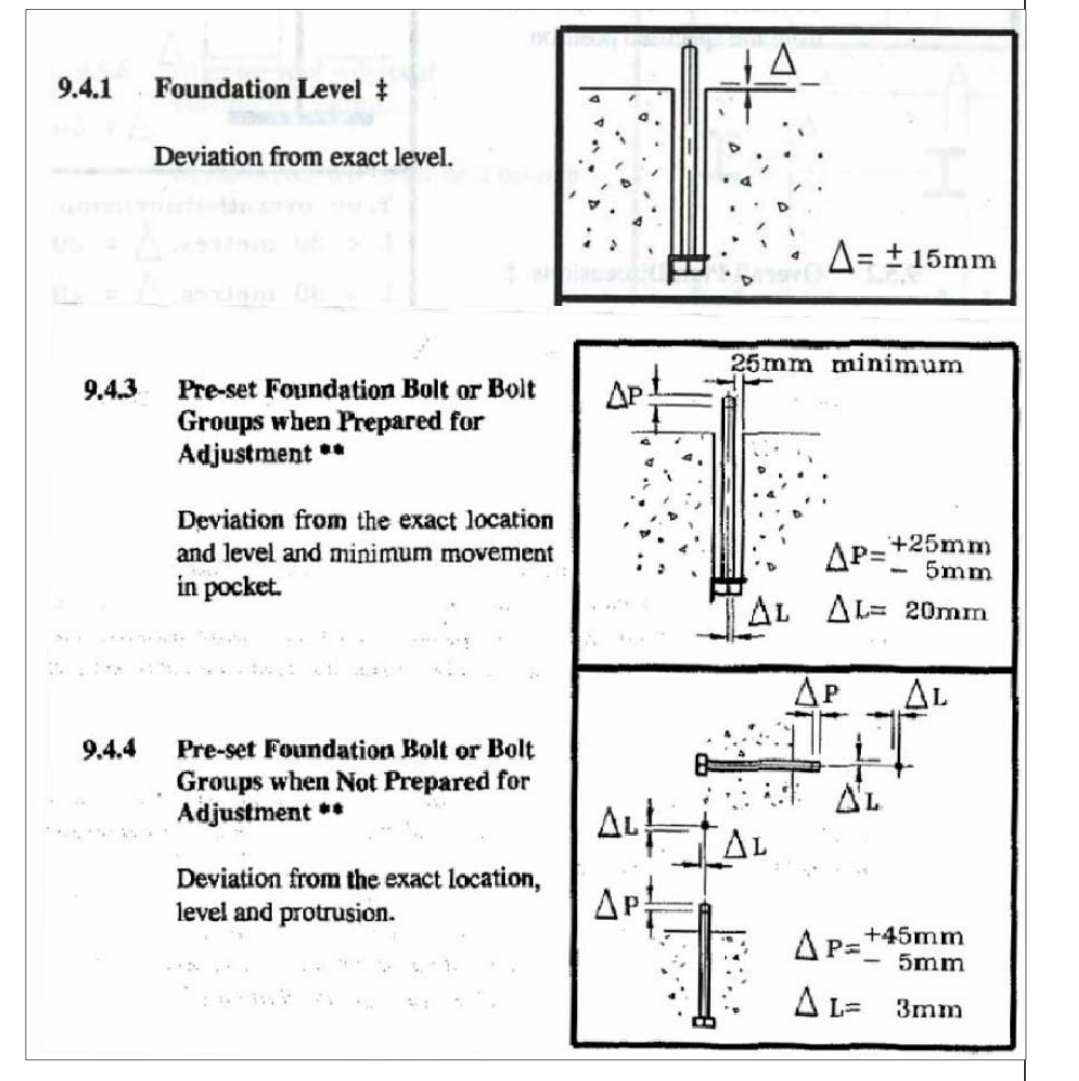
INTERNAL COLUMN BASE
TYPICAL DETAILS ON PLAN
Scale 1:25



TYPICAL FOOTING SECTION
TYPE-05A
Scale 1:25

- GENERAL NOTES:**
- DIMENSIONS ON THIS DRAWING SHALL NOT BE SCALED. ALL DIMENSIONS TO BE CHECKED ON SITE. ALL DETAILS AND DIMENSIONS RELATING TO SUB-CONTRACTORS OR SUPPLIER'S WORK MUST BE CHECKED AND AGREED BETWEEN THE SUB-CONTRACTOR OR THE SUPPLIER AND THE GENERAL CONTRACTOR.
 - THIS DRAWING IS TO BE READ IN CONJUNCTION WITH ALL RELEVANT ARCHITECT'S AND ENGINEERS DRAWINGS AND SPECIFICATION.
 - THE CONTRACTOR IS RESPONSIBLE FOR VERIFYING ALL SITE DIMENSIONS BEFORE COMMENCING WORK.
 - THE MAIN CONTRACTOR IS RESPONSIBLE FOR ENSURING THE STABILITY OF THE STRUCTURE WHILE THE WORKS ARE IN PROGRESS.
 - DIFFERENCES BETWEEN THIS DRAWING AND THE SITE CONDITIONS ENCOUNTERED MUST BE REPORTED TO THE ENGINEER.
 - THE CONTRACTOR REMAINS RESPONSIBLE FOR ALL ON SITE HEALTH AND SAFETY, INCLUDING SITE OPERATIVES PERSONAL PROTECTIVE EQUIPMENT.

- NOTATION:**
- T.O.S. - TOP OF STEEL S.S.L. - STRUCTURAL SLAB LEVEL
T.G.L. - FINISH GROUND LEVEL P.F.L. - FINISHED FLOOR LEVEL
T.C. - TOP OF CONCRETE F.F. - TOP OF FOUNDATION
T.L. - FORMATION LEVEL
- 4.0 CONCRETE**
- All materials and workmanship to be in accordance with BS 8110 Parts 1 & 2 - The structural use of concrete.
 - Concrete quality to be 30N / mm² at 28 days unless noted otherwise. Max nominal aggregate to be 20mm.
 - Reinforcement to be placed in accordance with BS 8110.
 - For waterproof concrete cement content not less than 330kg / m³. Free water cement ratio 0.45 to 0.5 refer to manufacturer.
 - Concrete cubes to be taken at 7 & 28 days to obtain required crushing strengths (one cube to be taken as a spare cube).
 - Concrete qualities for Mass Concrete foundations to low rise structures in non-aggressive soils to be Gen 3. Minimum cement content not less than 220kg / m³ if normal prescribed mix is used will be acceptable or FNO2 (sulphate resisting cement).
 - No reinforcement to be cut displaced or omitted without prior written agreement of the engineer.
 - Cover to reinforcement to be 50mm unless noted otherwise on the drawings.
 - The ground is to be blended into 50 mm of lean mix prior to reinforcement being placed in position, blended concrete mix to be 1:10 to all reinforcement bases etc except water retaining structures refer to Specification, Gen 1.
 - If no soil investigation has been instigated then sulphate-resisting cement should be used in the ground construction.
 - Construction joints to be determined by the contractor to suit his method of working.
 - Rebar Grade to be B500B(EW1080)
- 13. Reinforcement notation**
- Number of bars: 10 H25 36 - 200 B
- Reinforcement type:
- Bar diameter:
- Bar mark:
- Bar spacing:
- Location of reinforcement:
- 14. Abbreviations**
- T = top B = bottom ABS = staggered
NF = near face FF = far face EF = each face
AB = alternate bars ABR = alternate bars reversed
- Lap lengths unless otherwise noted on the drawings to be min:
- H10 = 490mm H20 = 980mm
H12 = 590mm H25 = 1225mm
H16 = 785mm H32 = 1570mm
- 4.0 TOLERANCES**



Rev.	Description	Date
C3	FOR CONSTRUCTION	27-06-16
C2	FOR CONSTRUCTION	18-06-16
C1	FOR CONSTRUCTION	16-05-16
P5	PRELIMINARY	11-05-16
P4	PRELIMINARY	30-04-16
P3	PRELIMINARY	27-04-16
P2	PRELIMINARY	20-04-16
P1	PRELIMINARY	18-03-16

AND DESIGNS LTD
Consulting Engineers
Anchor House Station Road, Shalford, Guildford, Surrey GU4 8BY
Tel: 01483 457755
Fax: 01483 531841
E-Mail: and@anddesigns.co.uk

Project: **WAGHNION, BANFORA, BURKINA FASO**

Title: **SUB BASE LAYOUT & SECTION DETAILS**

Scale	AS SHOWN AT A0	Job No.
Date	APRIL 2016	18.075
Drawn by	JAL	Checked by
Drawn by	JAL	Drawn by
Scale		18.075.01 C3