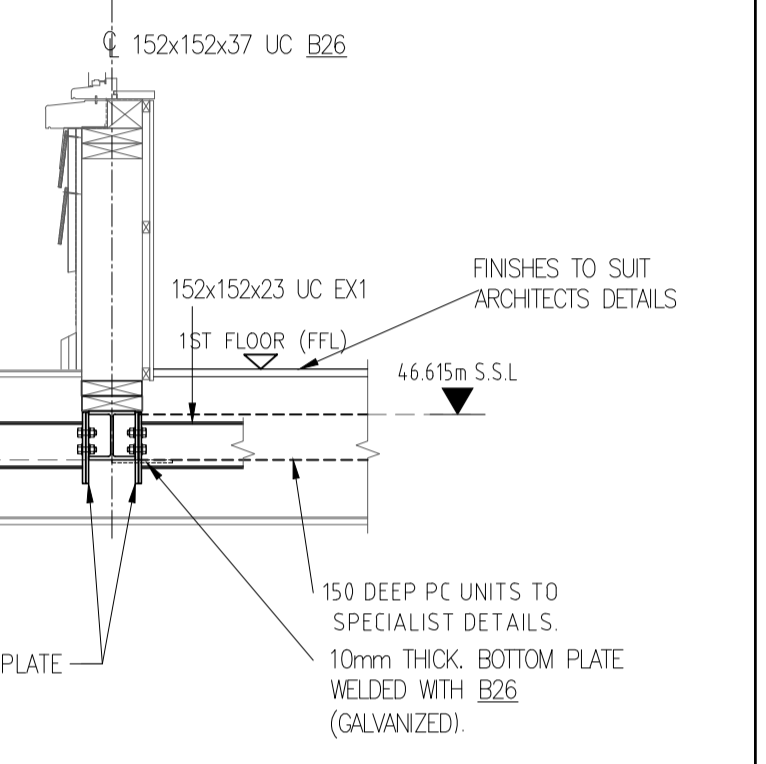


GENERAL NOTES:

- DIMENSIONS ON THIS DRAWING SHALL NOT BE SCALED. ALL DIMENSIONS TO BE CHECKED ON SITE. ALL DETAILS AND DIMENSIONING RELATING TO SUB-CONTRACTOR'S OR SUPPLIER'S WORK MUST BE CHECKED AND AGREED BETWEEN THE SUB-CONTRACTOR OR THE SUPPLIER AND THE GENERAL CONTRACTOR.
- THIS DRAWING IS TO BE READ IN CONJUNCTION WITH ALL RELEVANT ARCHITECT'S AND ENGINEERS DRAWINGS AND SPECIFICATION.
- THE CONTRACTOR IS RESPONSIBLE FOR VERIFYING ALL SITE DIMENSIONS BEFORE COMMENCING WORK.
- THE MAIN CONTRACTOR IS RESPONSIBLE FOR ENSURING THE STABILITY OF THE STRUCTURE WHILE THE WORKS ARE IN PROGRESS.
- DIFFERENCES BETWEEN THIS DRAWING AND THE SITE CONDITIONS ENCOUNTERED MUST BE REPORTED TO THE ENGINEER.
- THE CONTRACTOR REMAINS RESPONSIBLE FOR ALL ON SITE HEALTH AND SAFETY, INCLUDING SITE OPERATIVES PERSONAL PROTECTIVE EQUIPMENT.

NOTATION:

T.O.S. - TOP OF STEEL S.S.L. - STRUCTURAL SLAB LEVEL
 T.G.L. - FINISH FLOOR LEVEL F.F.L. - FINISHED FLOOR LEVEL
 T.O.C. - TOP OF CONCRETE T.O.F. - TOP OF FOUNDATION
 T.L. - FORMATION LEVEL



Rev.	By	Description	Date
C3	JAL	FOR CONSTRUCTION	16-06-15
C2	JAL	FOR CONSTRUCTION	21-05-15
C1	BM	FOR CONSTRUCTION	31-08-14
P1	BM	PRELIMINARY	31-05-14

AND DESIGNS LTD
 Consulting Engineers
 90 MEADOW, GODALMING, SURREY, GU7 3HY
 Tel. 01483 418140
 Fax. 01483 421304
 E Mail. jeff@anddesigns.co.uk

Project
**14 LAMBOURNE AVENUE
 LONDON SW19**

Title
**FIRST FLOOR
 CONSTRUCTION DETAILS**

Scale	AS SHOWN@A1	Job No.	14.100
Date	MAY 2014	Dwg. No.	04 C3
Dwn. by	BM	Chkd. by	JW