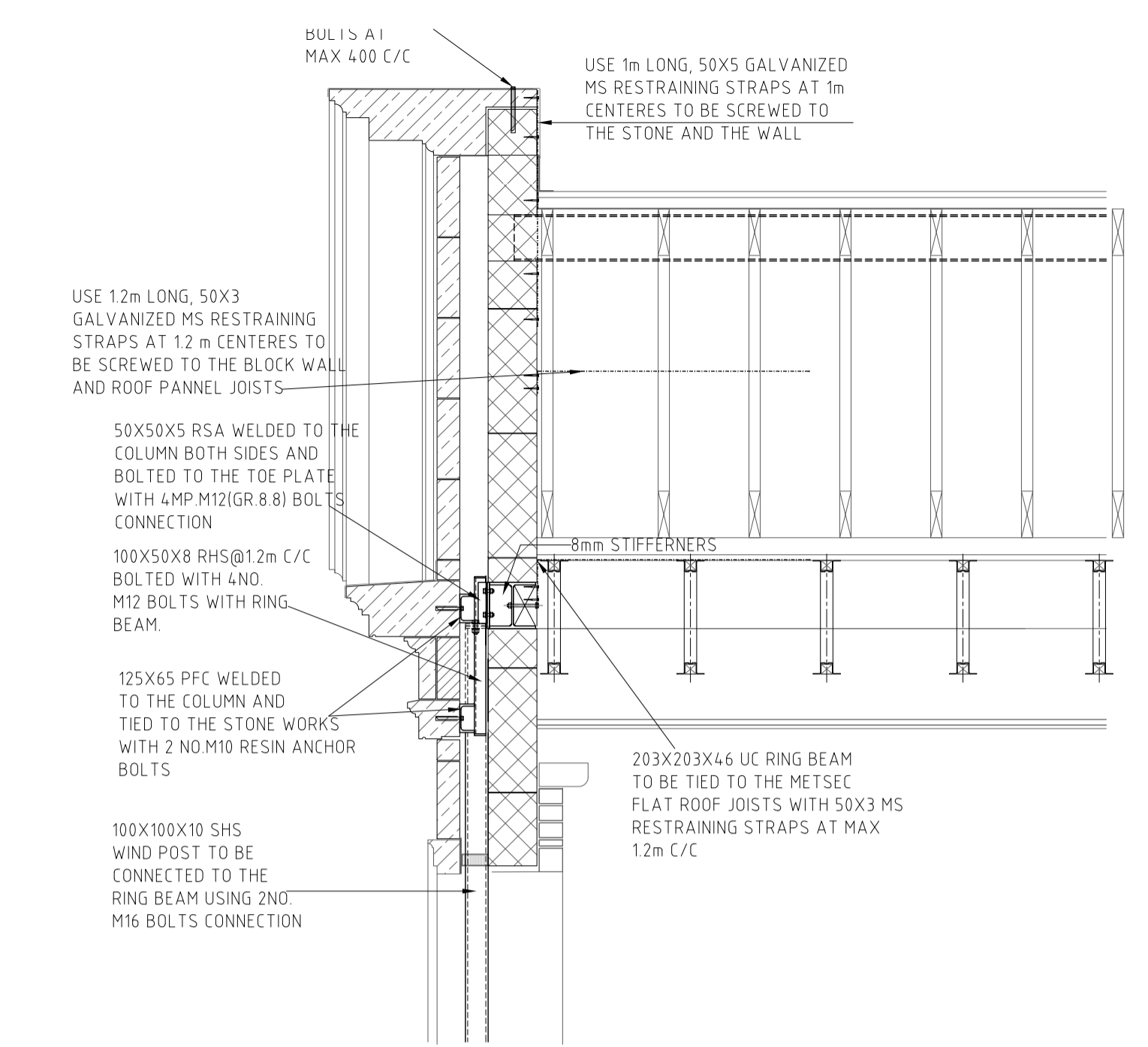
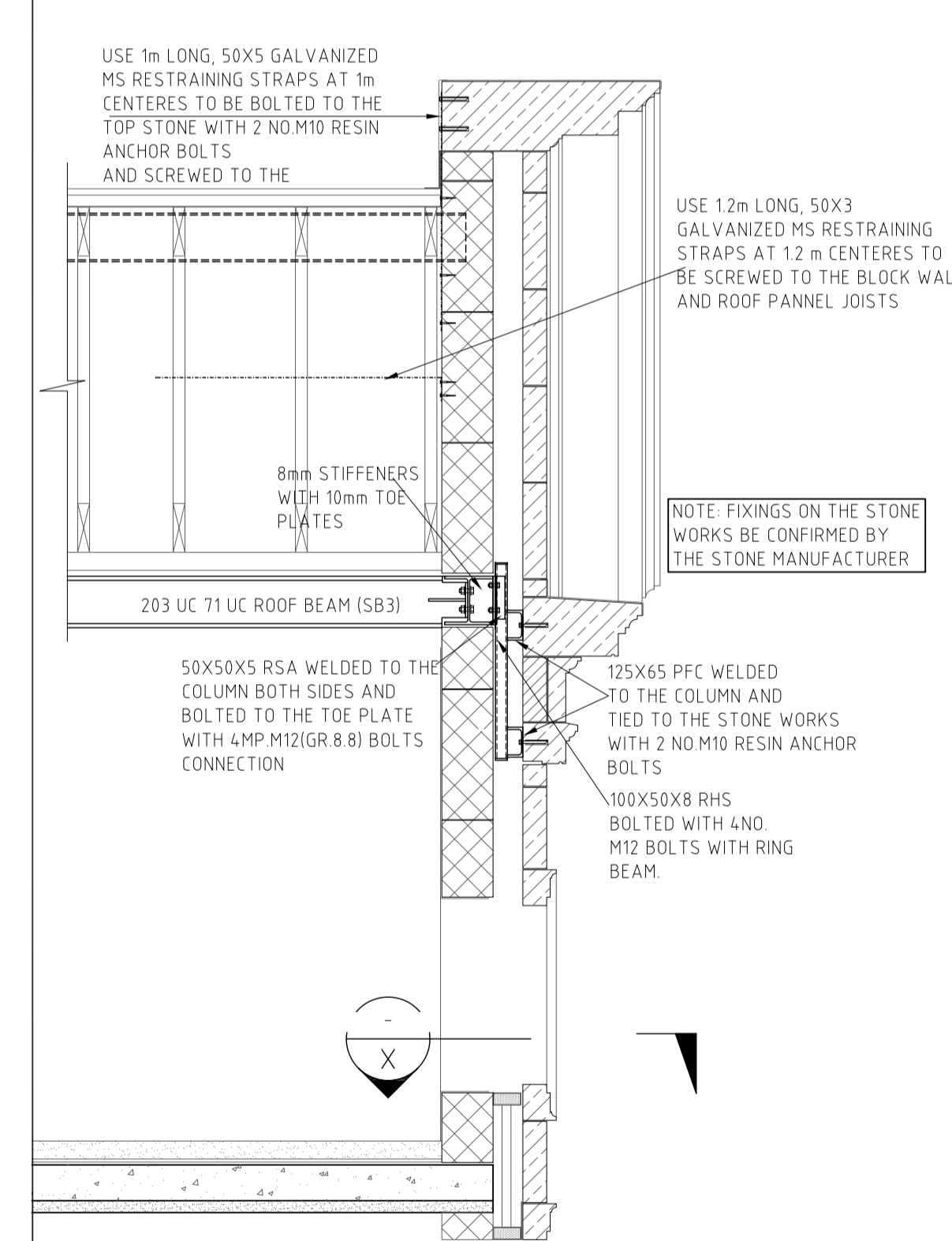


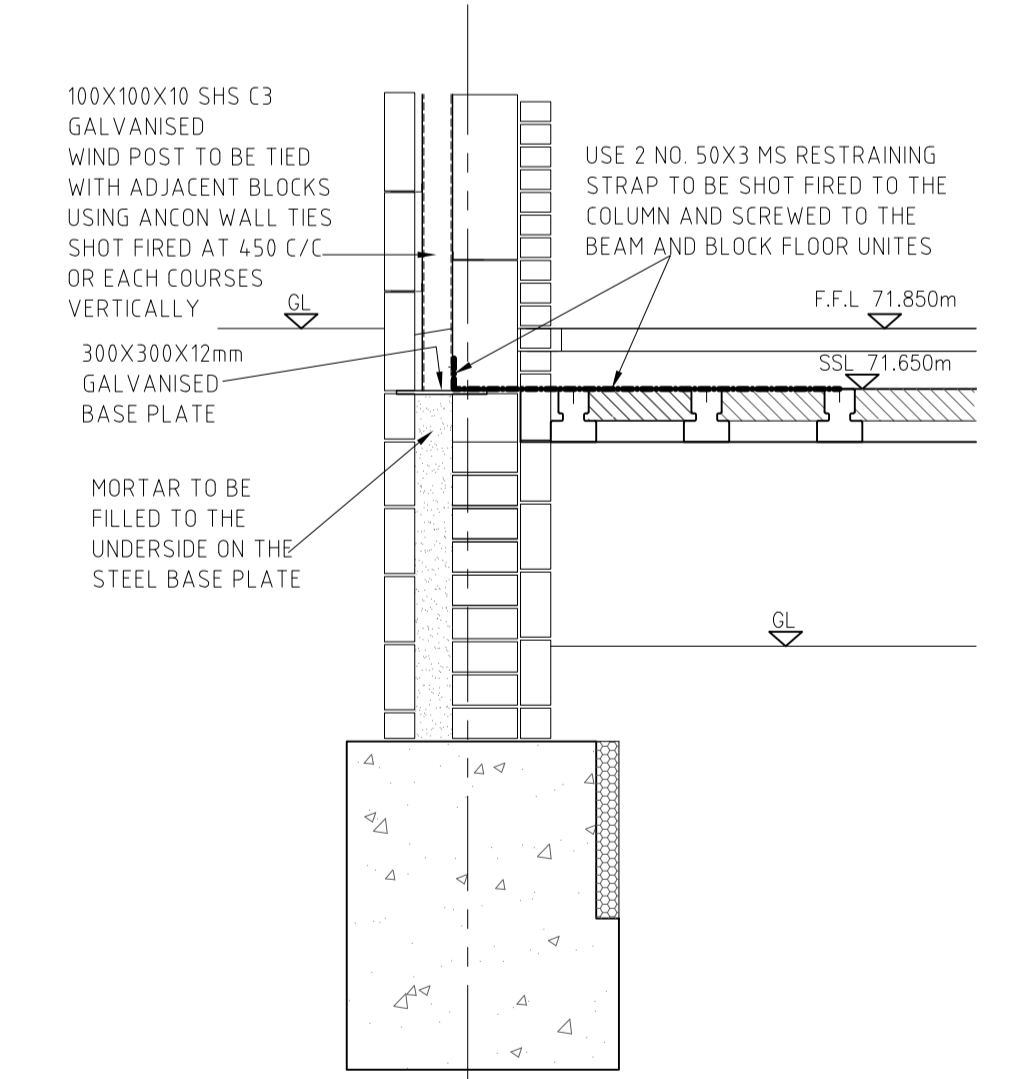
ELEVATION D
SCALE 1:25



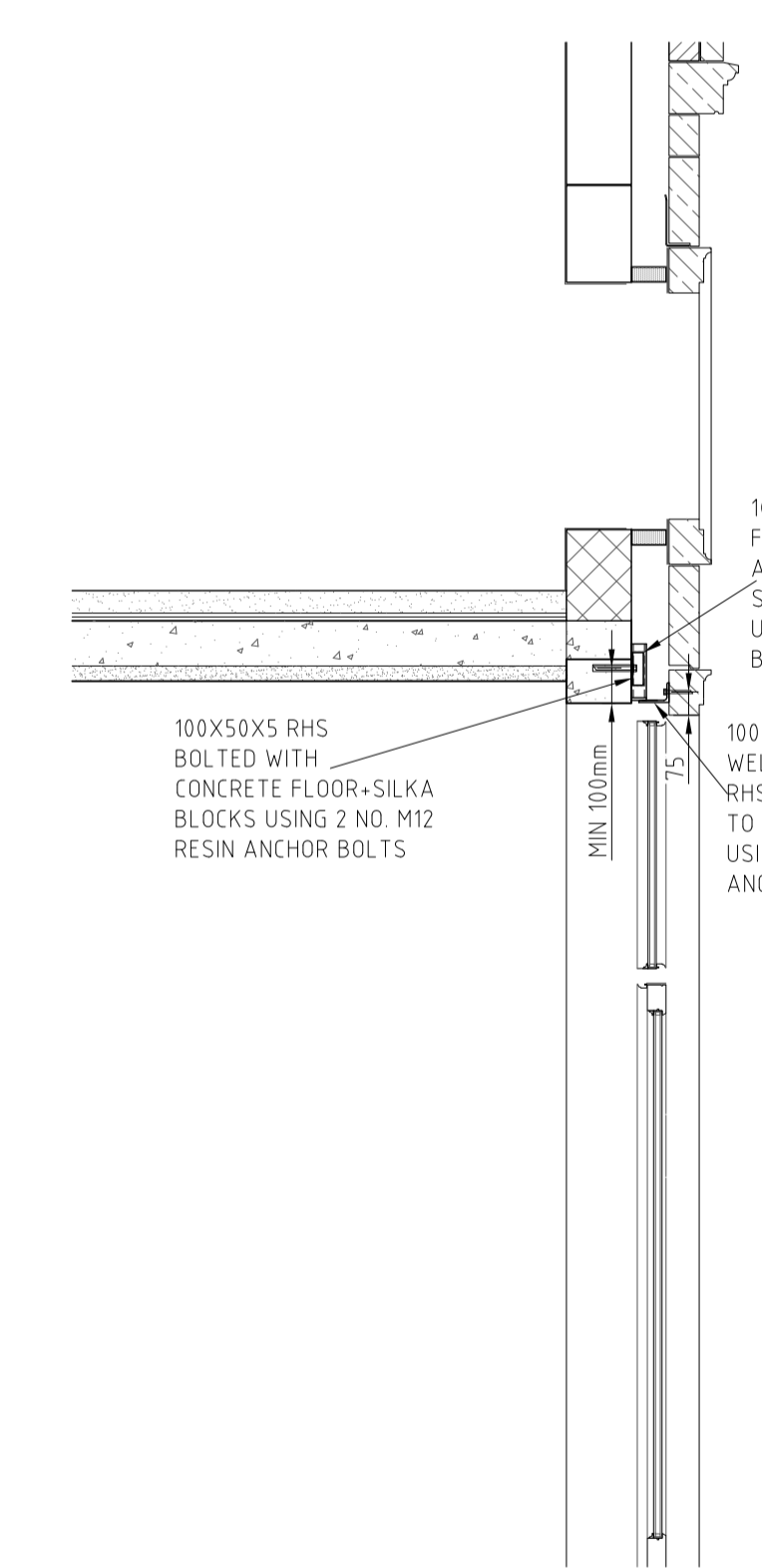
SECTION F
1:25



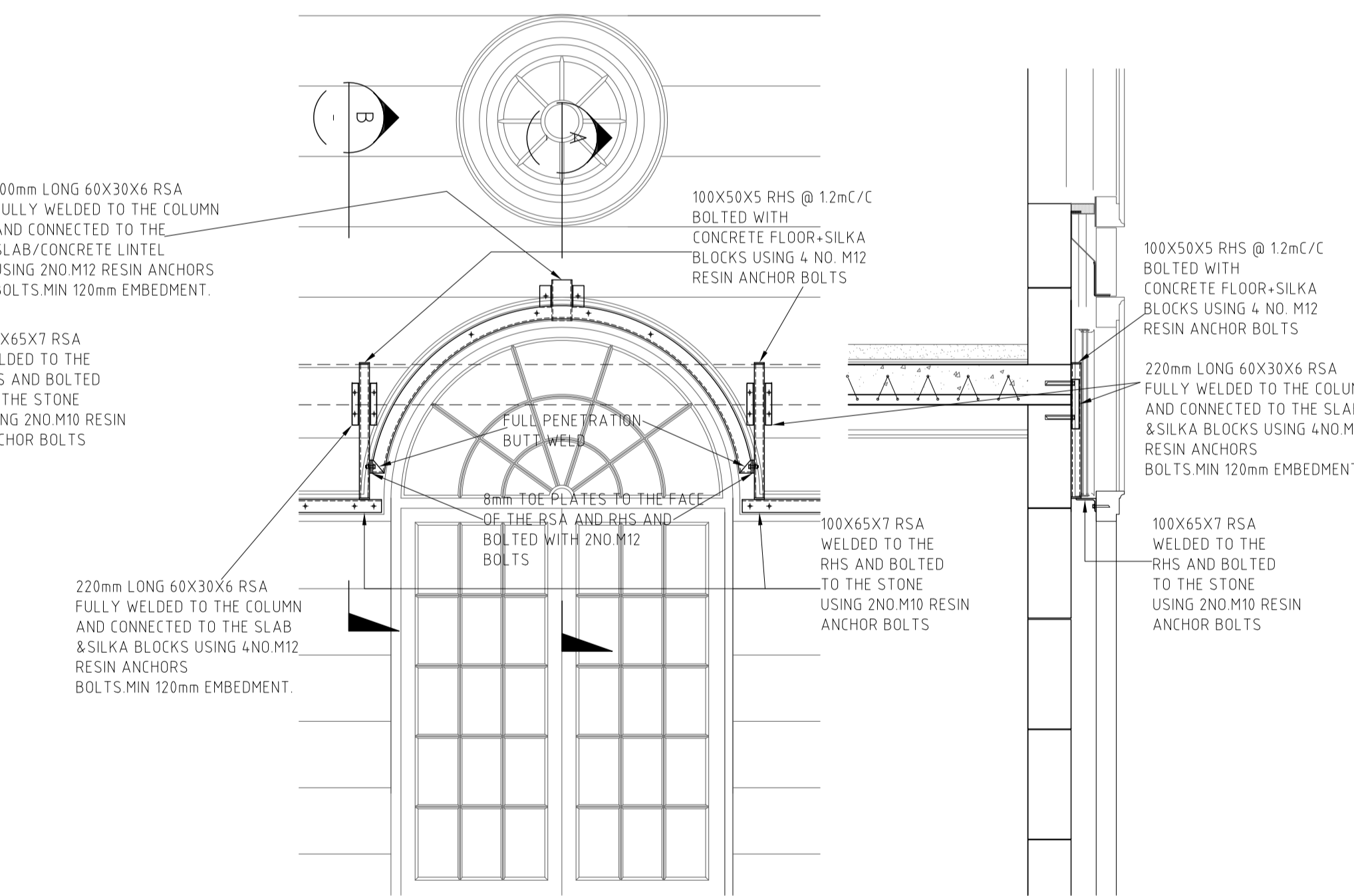
SECTION E
1:25



WIND POST BASE DETAILS
SCALE 1:25
- TYPICAL -



SECTION A
1:25



DOOR HEAD ELEVATION
1:25
TYPICAL DETAIL

SECTION B
1:25
TYPICAL DETAIL ALL AROUND THE PERIMETER

C4	JAL	FOR CONSTRUCTION	07-06-16
C3	JAL	FOR CONSTRUCTION	07-06-16
C2	JAL	FOR CONSTRUCTION	07-06-16
C1	JAL	FOR CONSTRUCTION	12-05-16
P2	JAL	PRELIMINARY	23-02-15
P1	JAL	PRELIMINARY	23-02-15

Rev.	By	Description	Date
AND DESIGNS LTD			
Consulting Engineers 90 MEADOW, GODALMING, SURREY, GU7 3HY			
Tel. 01483 418140 Fax. 01483 421304 E. Mail. jeff@anddesigns.co.uk			
Project		SYDENHURST MILL LANE CHIDDINGFOLD	
Title FIRST FLOOR CONSTRUCTION DETAILS FOR POOL BUILDING			
Scale AS SHOWN@A1		Job No. 14.306	
Date JANUARY 2015			
Dwn. by JAL	Chkd. by JW	Dwg. No. 15 C4	