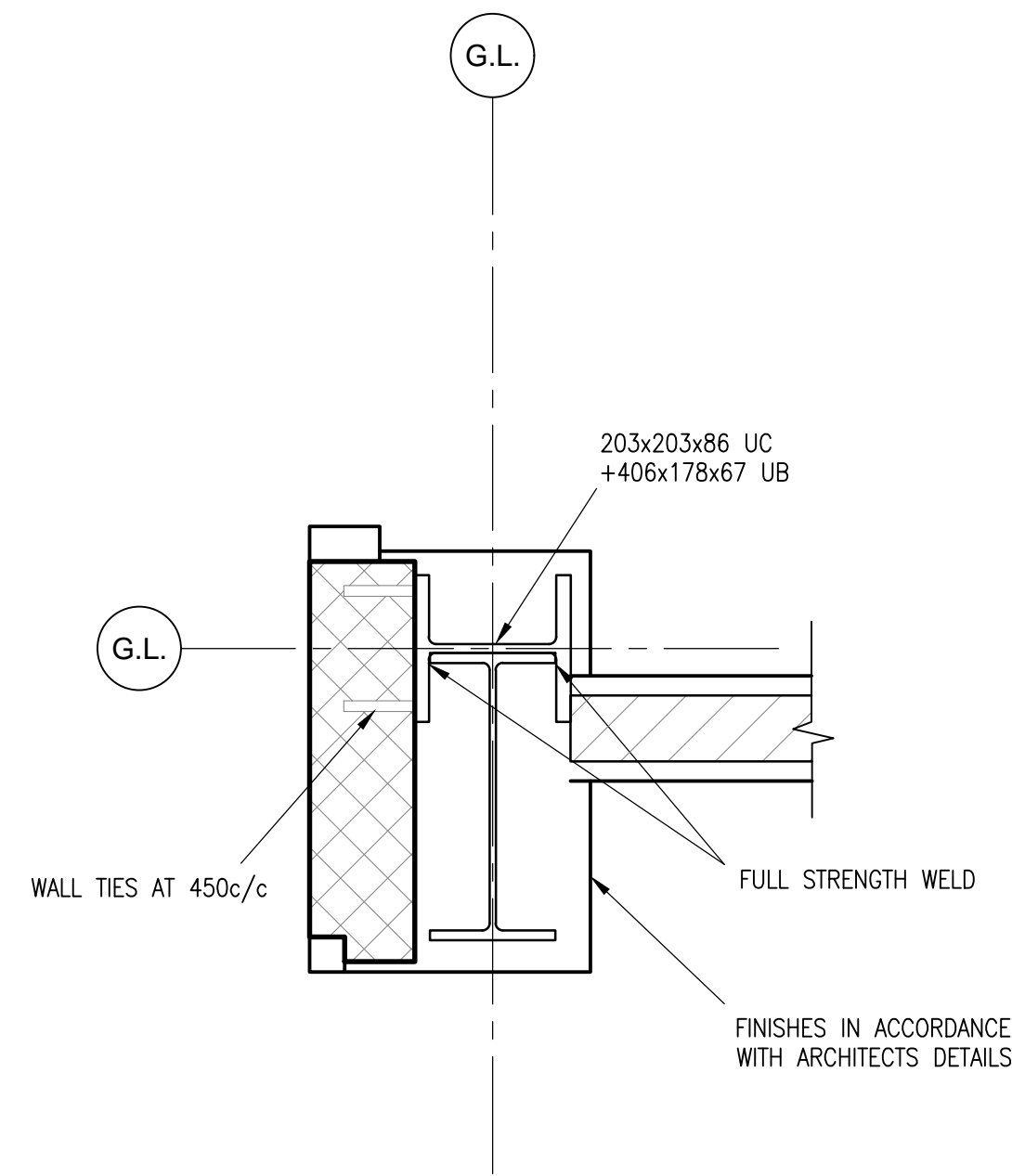


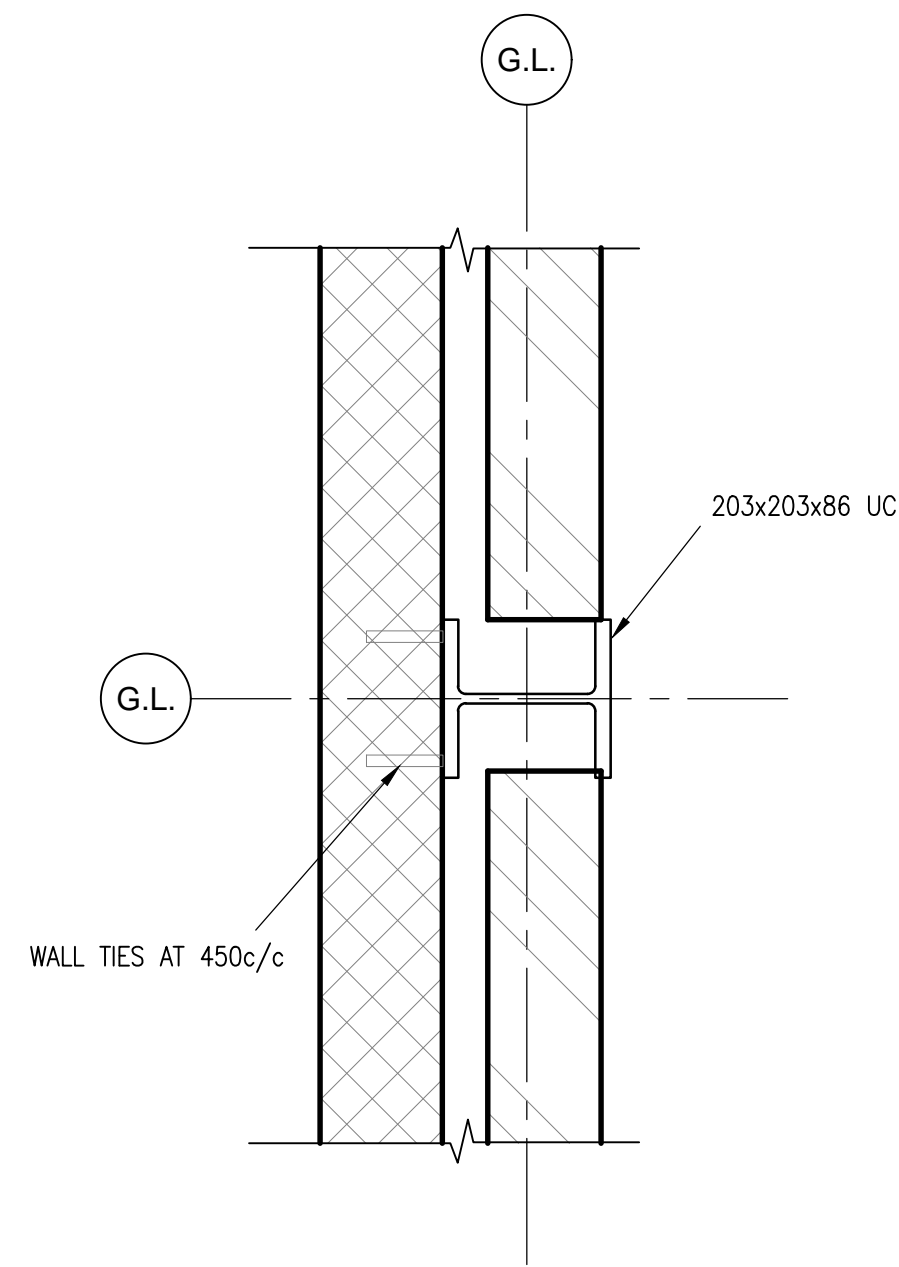
NOTES

1. THIS DRAWING IS TO BE READ IN CONJUNCTION WITH ALL RELEVANT ARCHITECTS DRAWINGS, ENGINEERS DRAWINGS AND CONTRACT DOCUMENTATION.
2. FOR NOTES AND GENERAL SPECIFICATION RELATING TO THIS DRAWING SEE DRAWINGS 00.S1 AND 00.S2



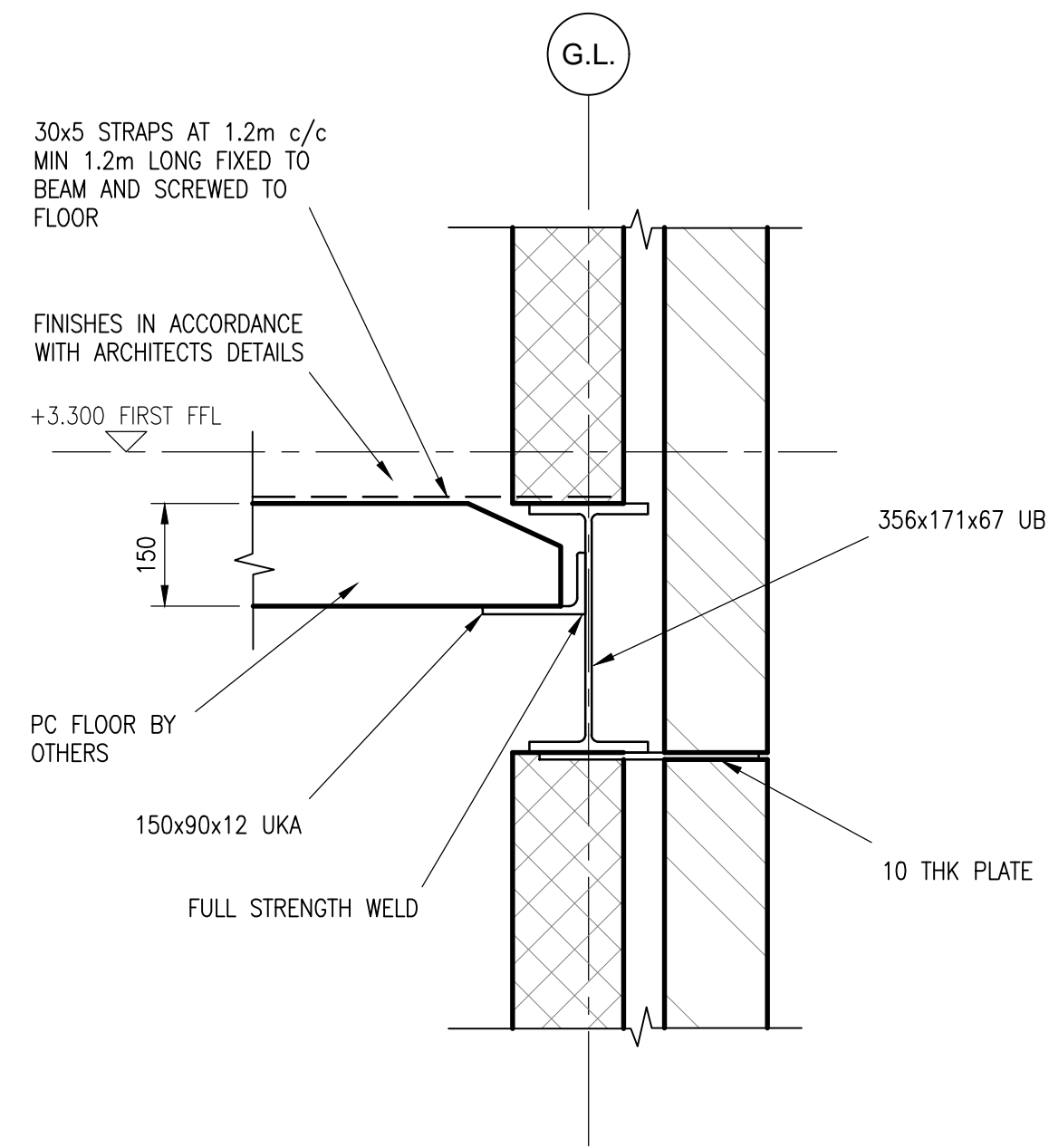
DETAIL 1
SCALE 1:10 03

TYPICAL PORTAL COLUMN (PLAN)



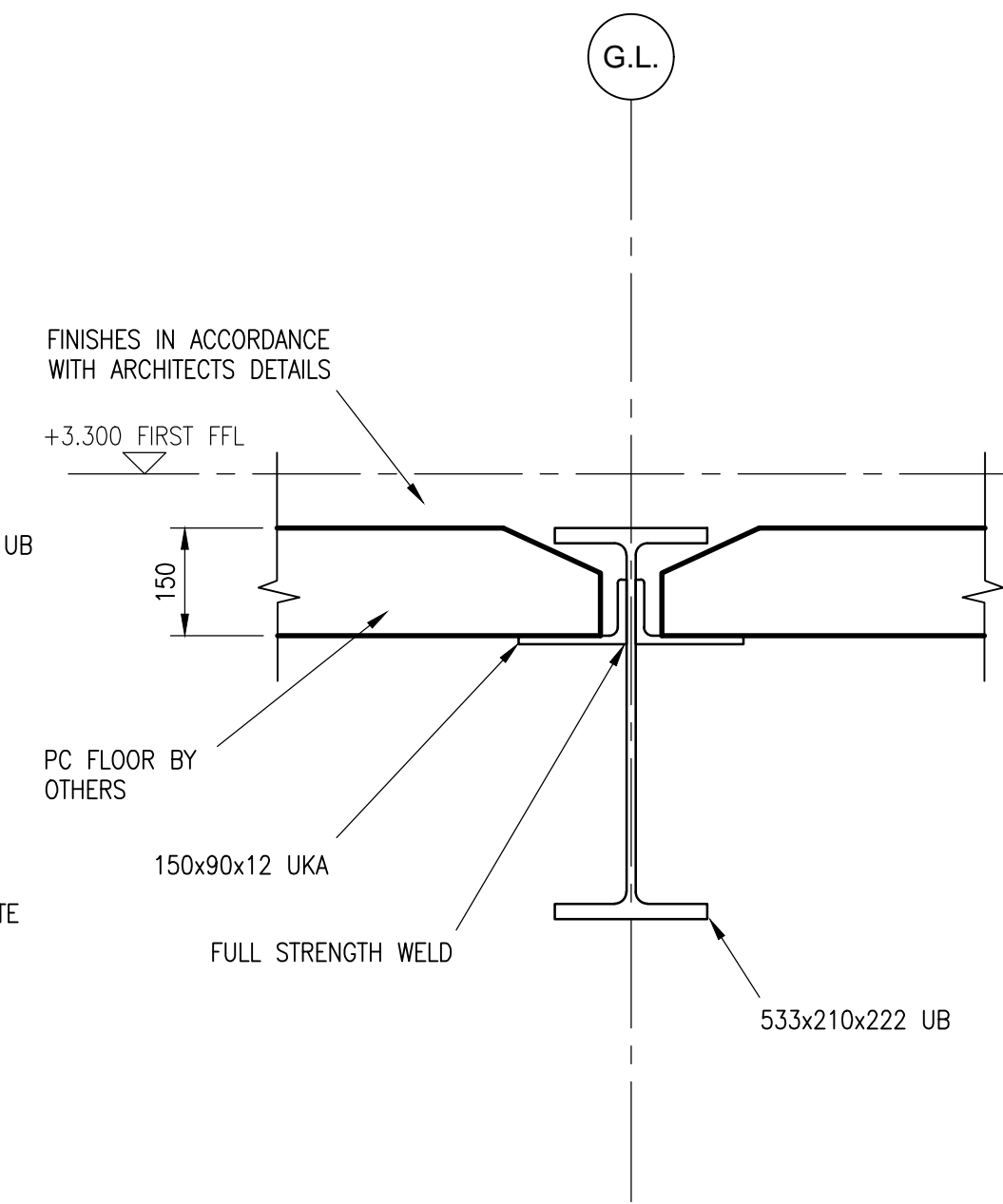
DETAIL 2
SCALE 1:10 03

TYPICAL COLUMN (PLAN)



DETAIL 3
SCALE 1:10 03

TYPICAL EDGE BEAM FIRST FLOOR

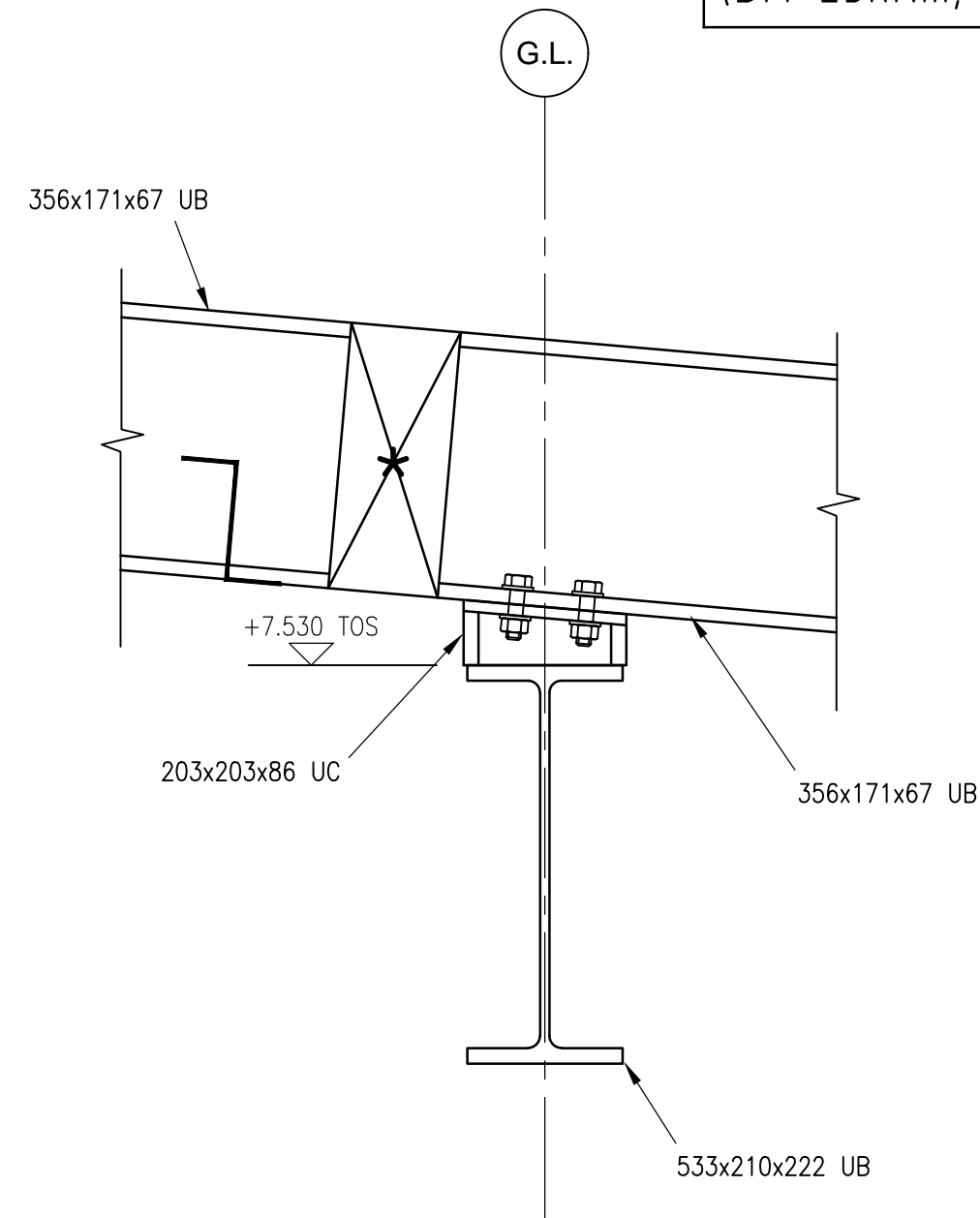


DETAIL 4
SCALE 1:10 03

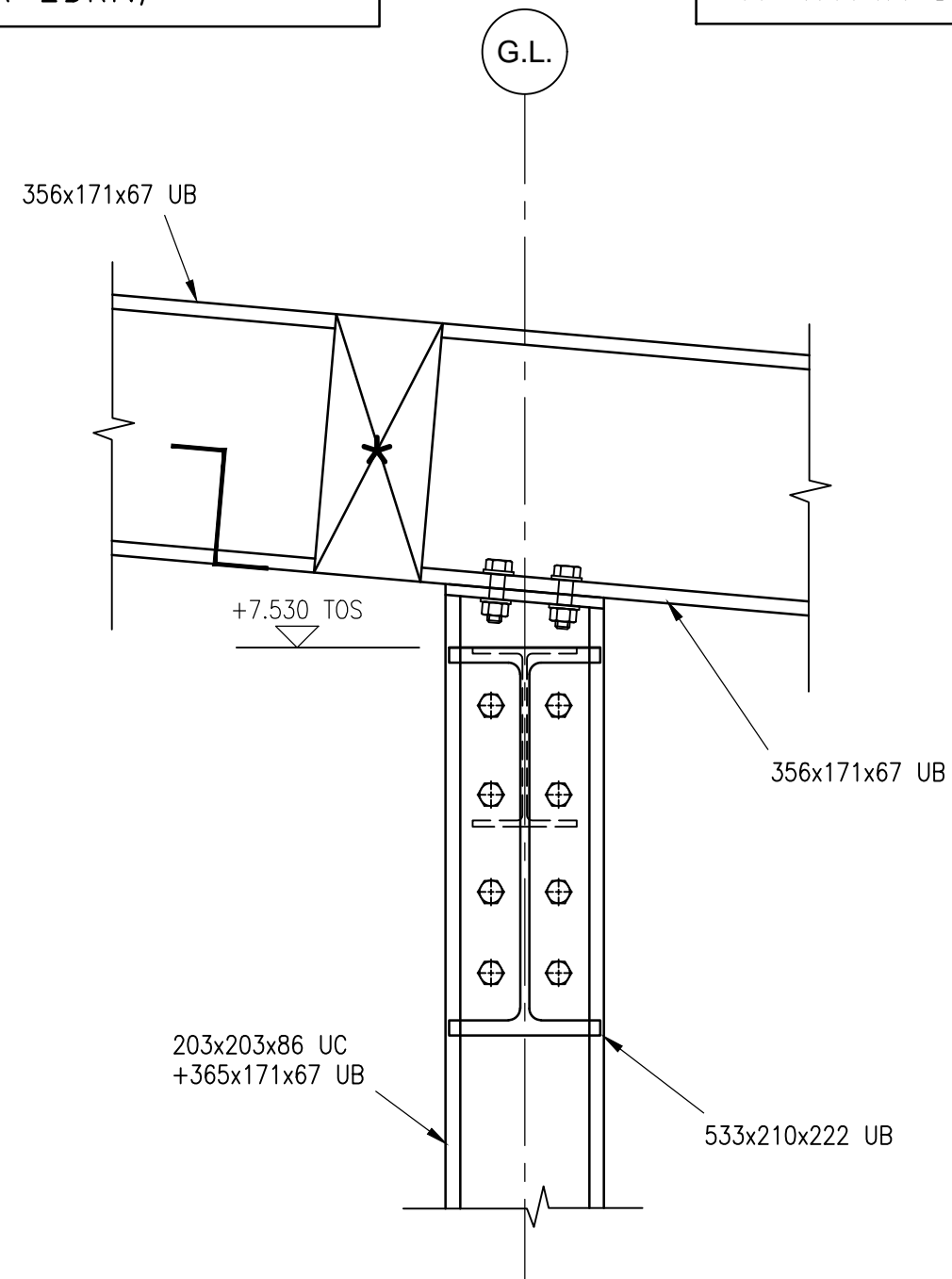
TYPICAL INTERNAL BEAM FIRST FLOOR

* SCHOCK THERMAL CONNECTIONS (BM=25kNm, SHEAR=25kN)

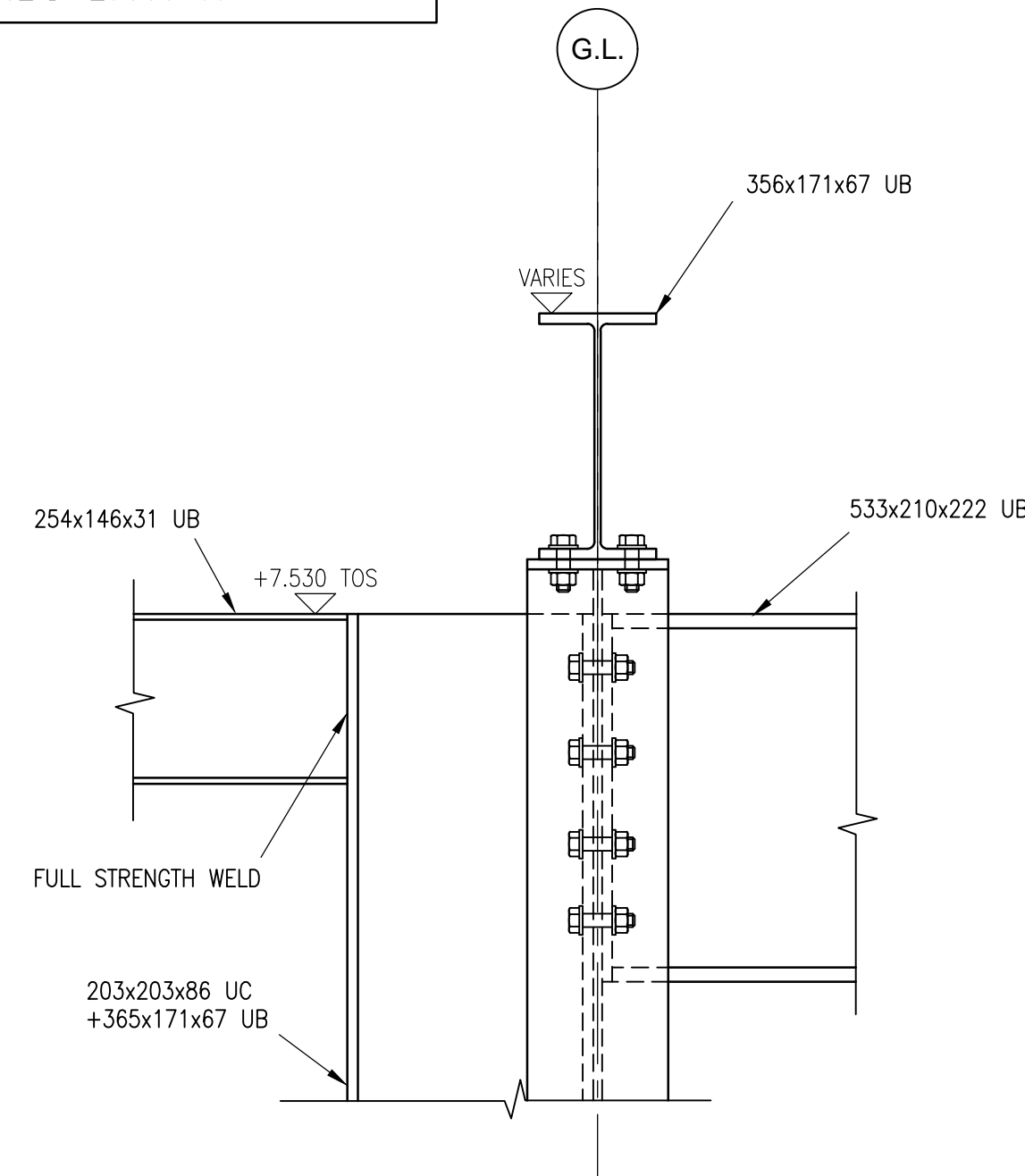
CONNECTIONS TO BE DETAILED BY FABRICATOR USING REACTIONS SHOWN IN CALCULATIONS



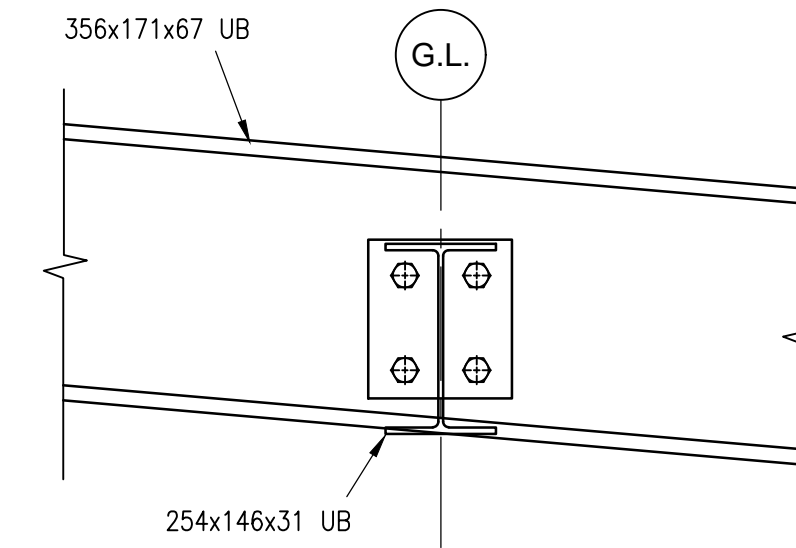
DETAIL 5
SCALE 1:10 03



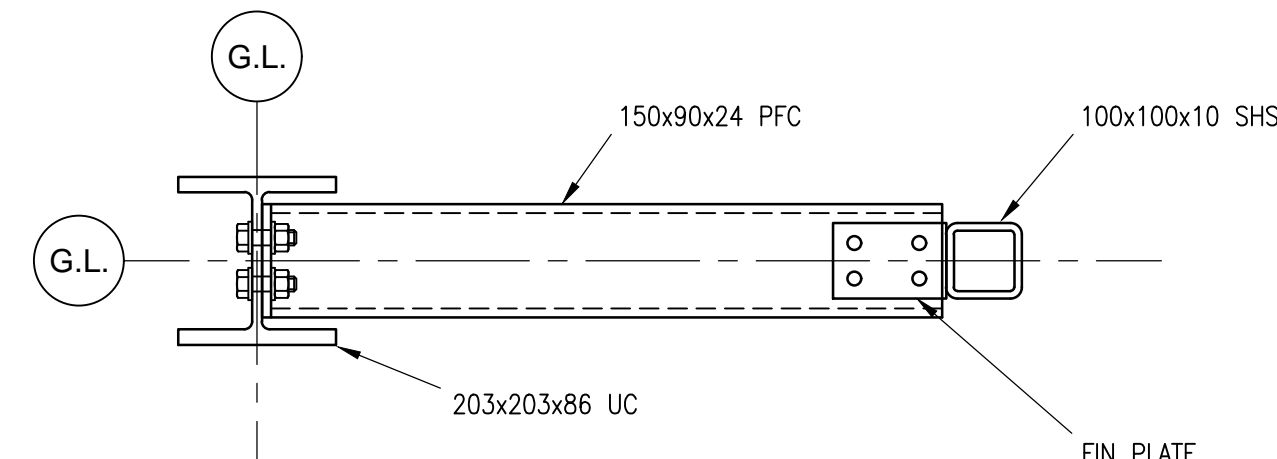
DETAIL 6
SCALE 1:10 03



DETAIL 7
SCALE 1:10 03



DETAIL 8
SCALE 1:10 03



DETAIL 8
SCALE 1:10 03

TYPICAL (PLAN)

Rev.	Description	Date
P3	Preliminary comments incorporated	22/06/17
P2	Preliminary comments incorporated	16/06/17
P1	Preliminary for checking	26/05/17

AND DESIGNS LTD

Consulting Engineers
90 Meadrow, Godalming, Surrey GU7 3HY
Tel. 01483 418140
Fax. 01483 421304
E Mail info@anddesigns.co.uk

Project
GREENBAYS PARK HORSELL

Title
STEELWORK DETAILS (2/2)

Scale	AS SHOWN AT A1	Job No.
Date	APR 2017	17.146
Dwn. by	Chkd. by	Dwg. No.
MT	JW	04 P3