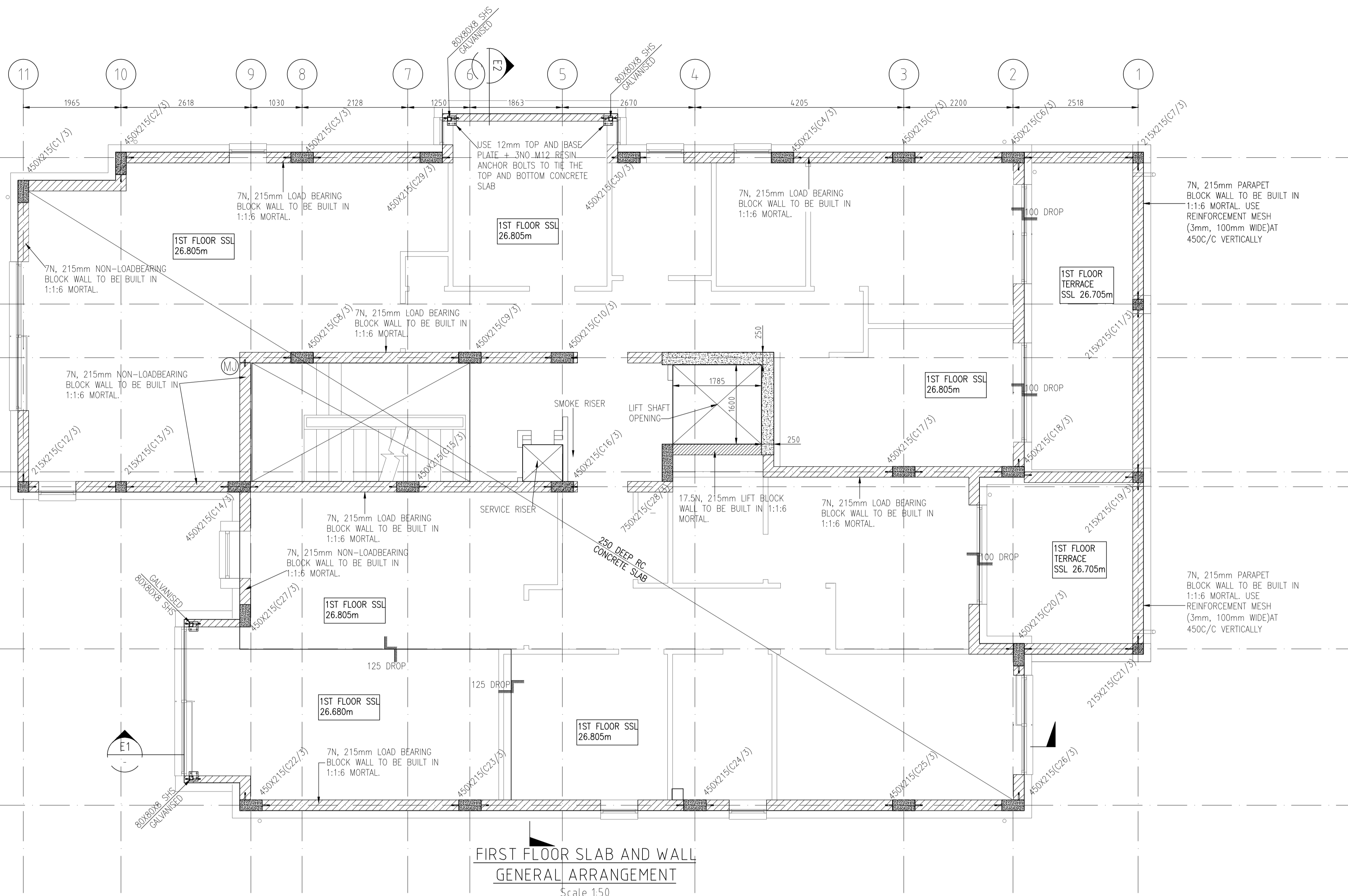
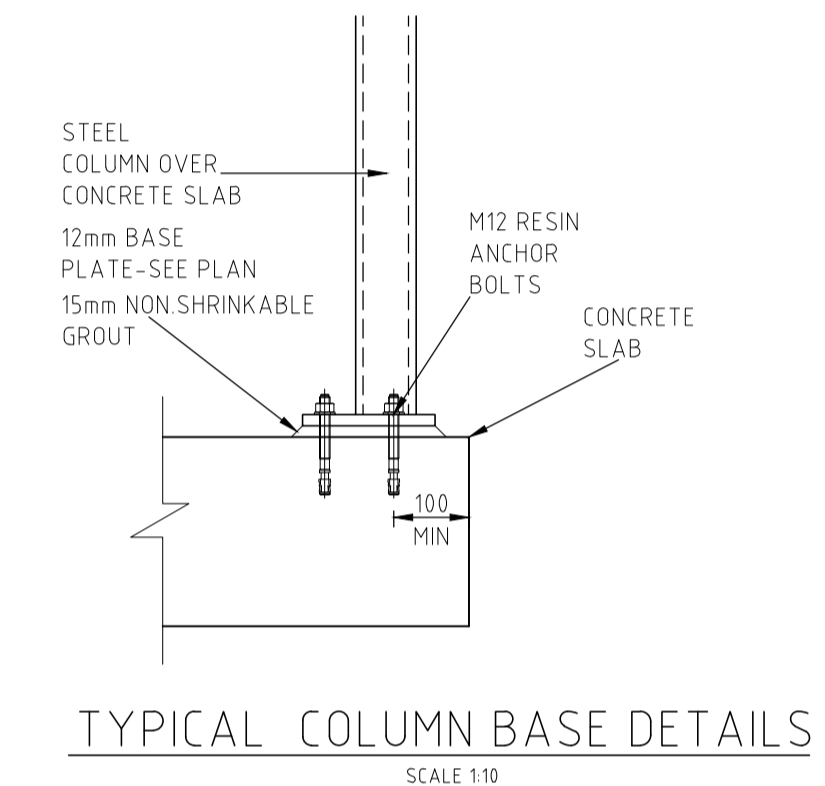


NOTES

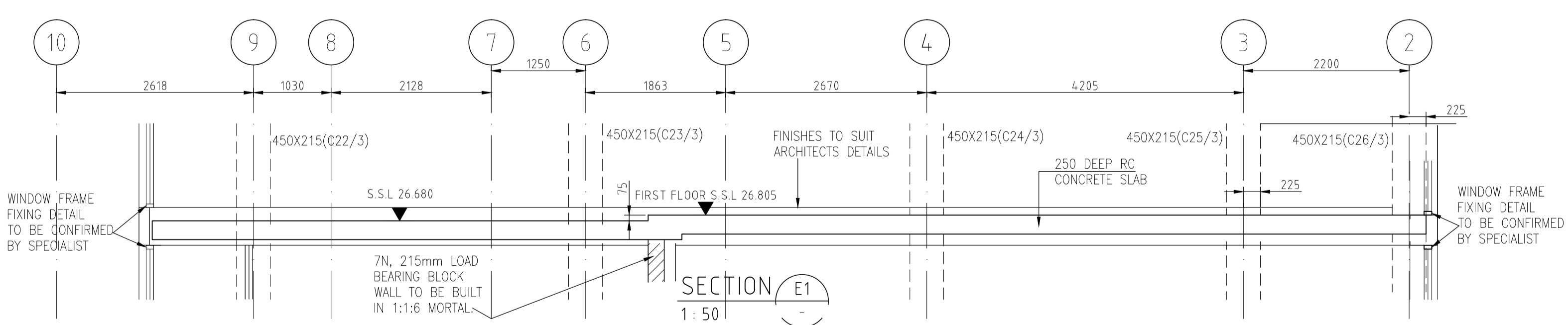
1. THIS DRAWING IS TO BE READ IN CONJUNCTION WITH ALL RELEVANT ARCHITECTS DRAWINGS, ENGINEERS DRAWINGS AND CONTRACT DOCUMENTATION.
2. FOR GENERAL NOTES SEE DRAWING 13.271.00
3. REFER TO SPECIFICATION



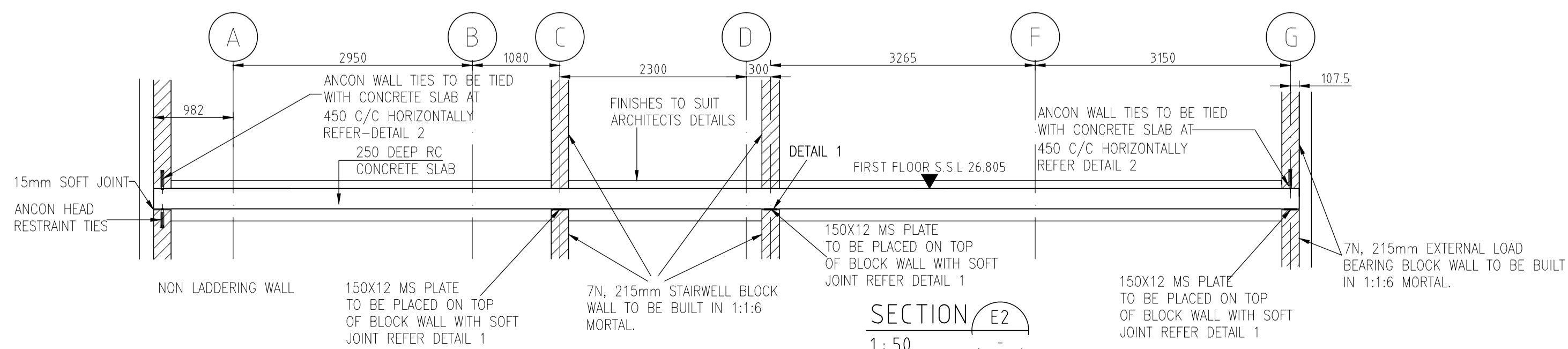
FIRST FLOOR SLAB AND WALL GENERAL ARRANGEMENT
Scale 1:50



TYPICAL COLUMN BASE DETAILS
SCALE 1:10



SECTION E1
1:50



SECTION E2
1:50

C2	JAL	FOR CONSTRUCTION	05-11-14
C1	JAL	FOR CONSTRUCTION	19-05-14
P3	BM	PRELIMINARY	21-02-14
P2	BM	PRELIMINARY	07-01-14
P1	BM	PRELIMINARY	13-12-13

Rev.	By	Description	Date
------	----	-------------	------

AND DESIGNS LTD
Consulting Engineers
90 MEADOW, GODALMING, SURREY, GU7 3HY
Tel. 01483 418140
Fax. 01483 421304
E Mail. jeff@anddesigns.co.uk

Project
43, PALMEIRA AVENUE
HOVE, BN3 3GE

Title
GENERAL ARRANGEMENT
1ST FLOOR CONSTRUCTION

Scale	AS SHOWN @ A1	Job No.	13.271
Date	DECEMBER 2013	Dwg. No.	06 C2
Dwn. by	BM	Chkd. by	JW