

GENERAL NOTES:

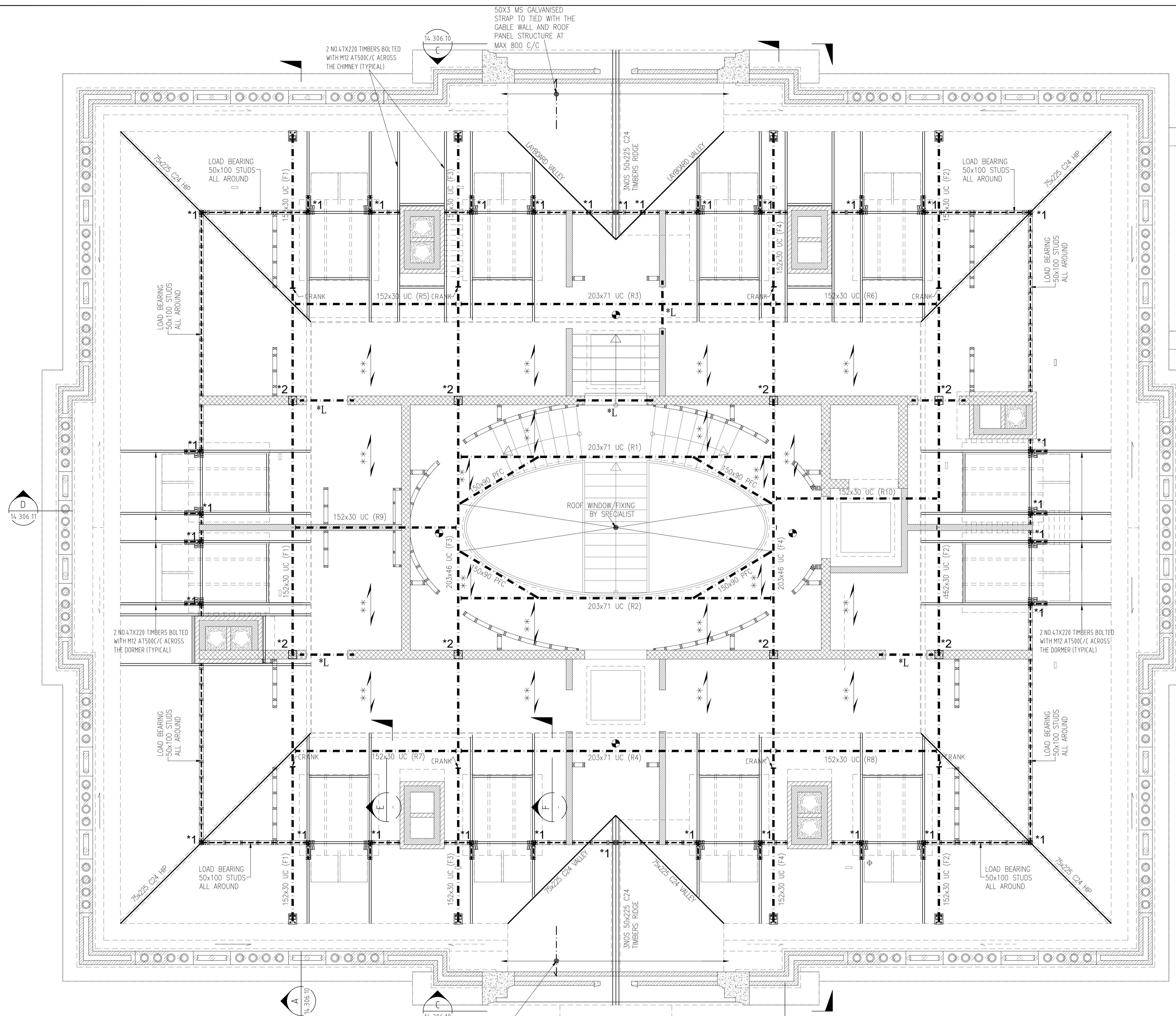
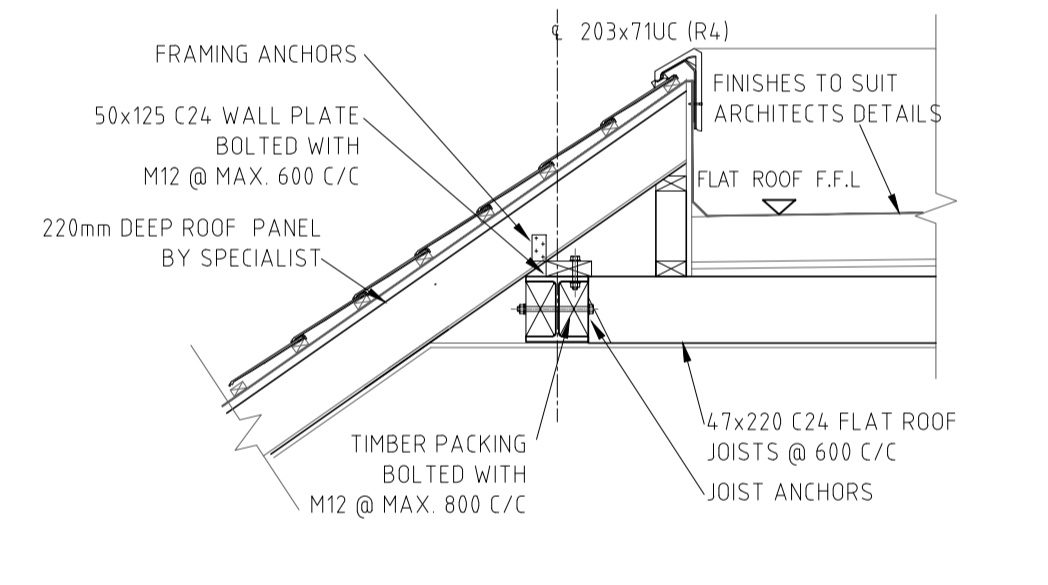
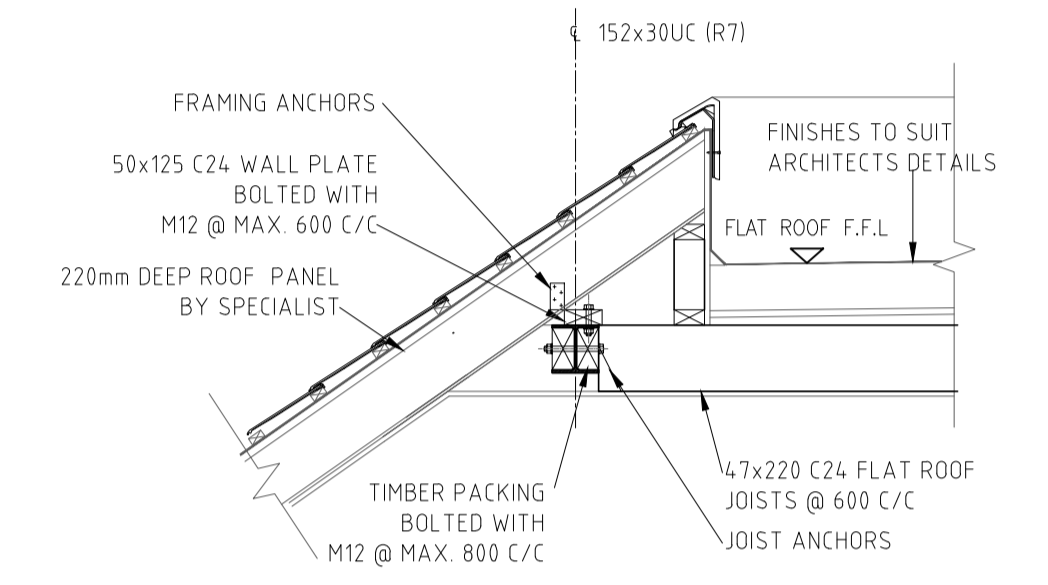
1. DIMENSIONS ON THIS DRAWING SHALL NOT BE SCALED. ALL DIMENSIONS TO BE CHECKED ON SITE. ALL DETAILS AND DIMENSIONING RELATING TO SUB-CONTRACTOR'S OR SUPPLIER'S WORK MUST BE CHECKED AND AGREED BETWEEN THE SUB-CONTRACTOR OR THE SUPPLIER AND THE GENERAL CONTRACTOR.
2. THIS DRAWING IS TO BE READ IN CONJUNCTION WITH ALL RELEVANT ARCHITECT'S AND ENGINEERS DRAWINGS AND SPECIFICATION.
3. THE CONTRACTOR IS RESPONSIBLE FOR VERIFYING ALL SITE DIMENSIONS BEFORE COMMENCING WORK.
4. THE MAIN CONTRACTOR IS RESPONSIBLE FOR ENSURING THE STABILITY OF THE STRUCTURE WHILE THE WORKS ARE IN PROGRESS.
5. DIFFERENCES BETWEEN THIS DRAWING AND THE SITE CONDITIONS ENCOUNTERED MUST BE REPORTED TO THE ENGINEER.
6. THE CONTRACTOR REMAINS RESPONSIBLE FOR ALL ON SITE HEALTH AND SAFETY, INCLUDING SITE OPERATIVES PERSONAL PROTECTIVE EQUIPMENT.

NOTATION:

- T.O.S - TOP OF STEEL
- T.G.L - FINISH GROUND LEVEL
- T.O.C - TOP OF CONCRETE
- T.L - FORMATION LEVEL
- S.S.L - STRUCTURAL SLAB LEVEL
- F.F.L - FINISHED FLOOR LEVEL
- T.O.F - TOP OF FOUNDATION

- ** USE 47x220 DEEP C16 FLAT ROOF JOISTS AT 600/C
- *1 100x100 C24 TIMBER POST
- *2 INDICATING SUPPORTS REQUIRED OVER THE SILKA BLOCKS
- *L 215x110 DEEP PS CONCRETE LINTELS BY NAYLOR OR LINTELS BY SILKA

NOTE: MOVEMENT JOINTS ARE TO BE CONFIRMED BY THE SILKA



2nd FLOOR PLAN SHOWING ROOF CONSTRUCTION OVER

SCALE 1:50

C1	JAL	FOR CONSTRUCTION	12-03-15
P3	JAL	PRELIMINARY	23-02-15
P2	JAL	PRELIMINARY	09-02-15
P1	JAL	PRELIMINARY	31-01-15
Rev.	By	Description	Date

AND DESIGNS LTD
 Consulting Engineers
 90 MEADOW, GODALMING, SURREY, GU7 3HY
 Tel. 01483 418140
 Fax. 01483 421304
 E Mail. jeff@anddesigns.co.uk

Project **SYDENHURST MILL LANE CHIDDINGFOLD**

Title **ROOF CONSTRUCTION DETAILS PLAN LAYOUT**

Scale	AS SHOWN@A1	Job No.	14.306
Date	JANUARY 2015	Dwn. by	JAL
		Chkd. by	JW
		Dwg. No.	09 C1